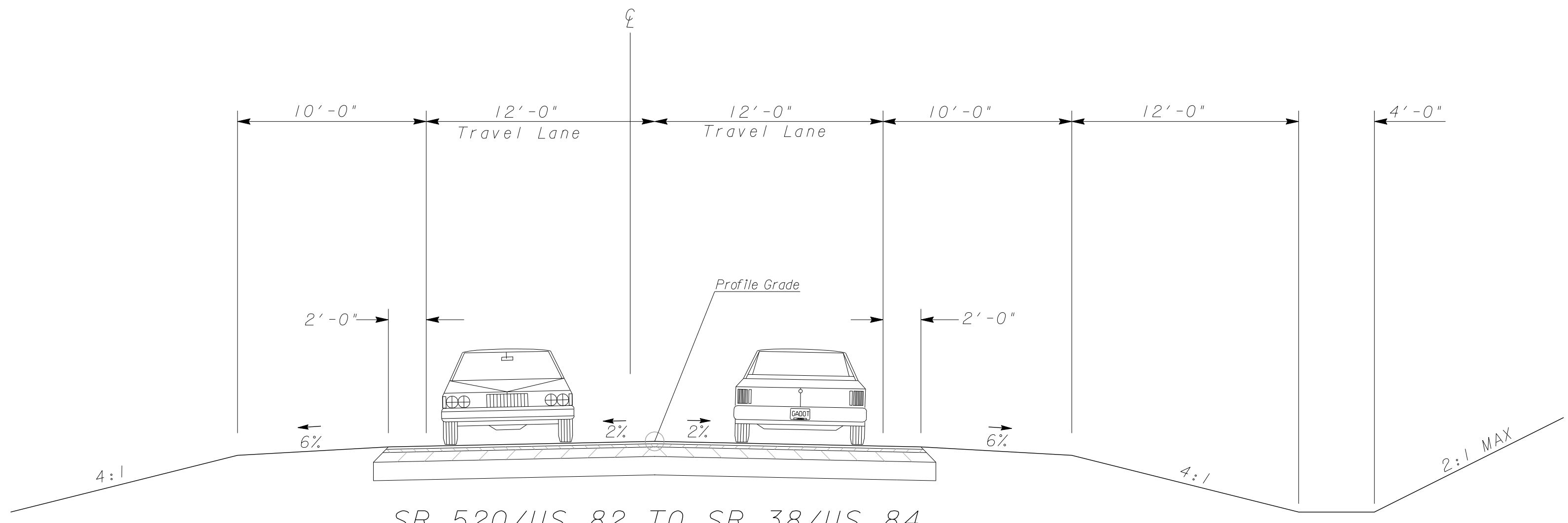


SR 4/US 1/US 23 TO SR 520/US 82
4 LANES WITH A 32' DEPRESSED MEDIAN
NORMAL CROWN



SR 520/US 82 TO SR 38/US 84
2 LANE ROADWAY
NORMAL CROWN

I:\002871 Waycross Bypass\DGN\Concept_4 of 4.dgn(0N*5, 45-49, 60-62)



PLANS PREPARED BY:
FH Florence & Hutcheson
 CONSULTING ENGINEERS
 1300 Ridener Blvd, Suite 300 • Kennesaw, GA 30152

NOT TO
SCALE

REVISION DATES	

STATE OF GEORGIA
 DEPARTMENT OF TRANSPORTATION
 OFFICE: CONSULTANT DESIGN
 TYPICAL SECTIONS

WAYCROSS EAST BYPASS

DRAWING No.
5-01