

SILT CONTROL GATE TYPE I NOTES:

- REFER TO GA. STD 2332 FOR CONCRETE APRONS.
- SEE SECTION 163 FOR THE REMOVAL OF TYPE I SILT CONTROL GATES.

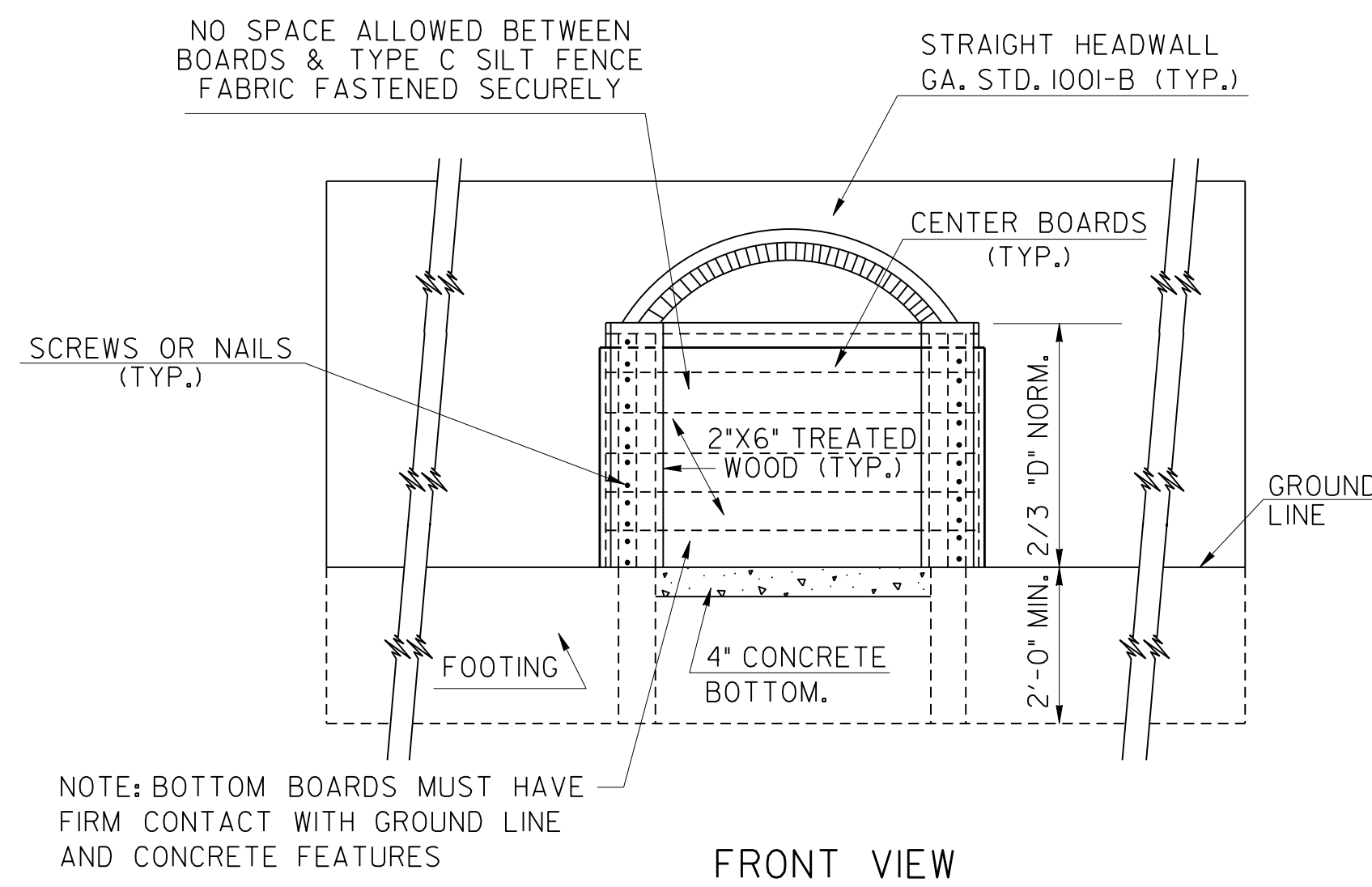
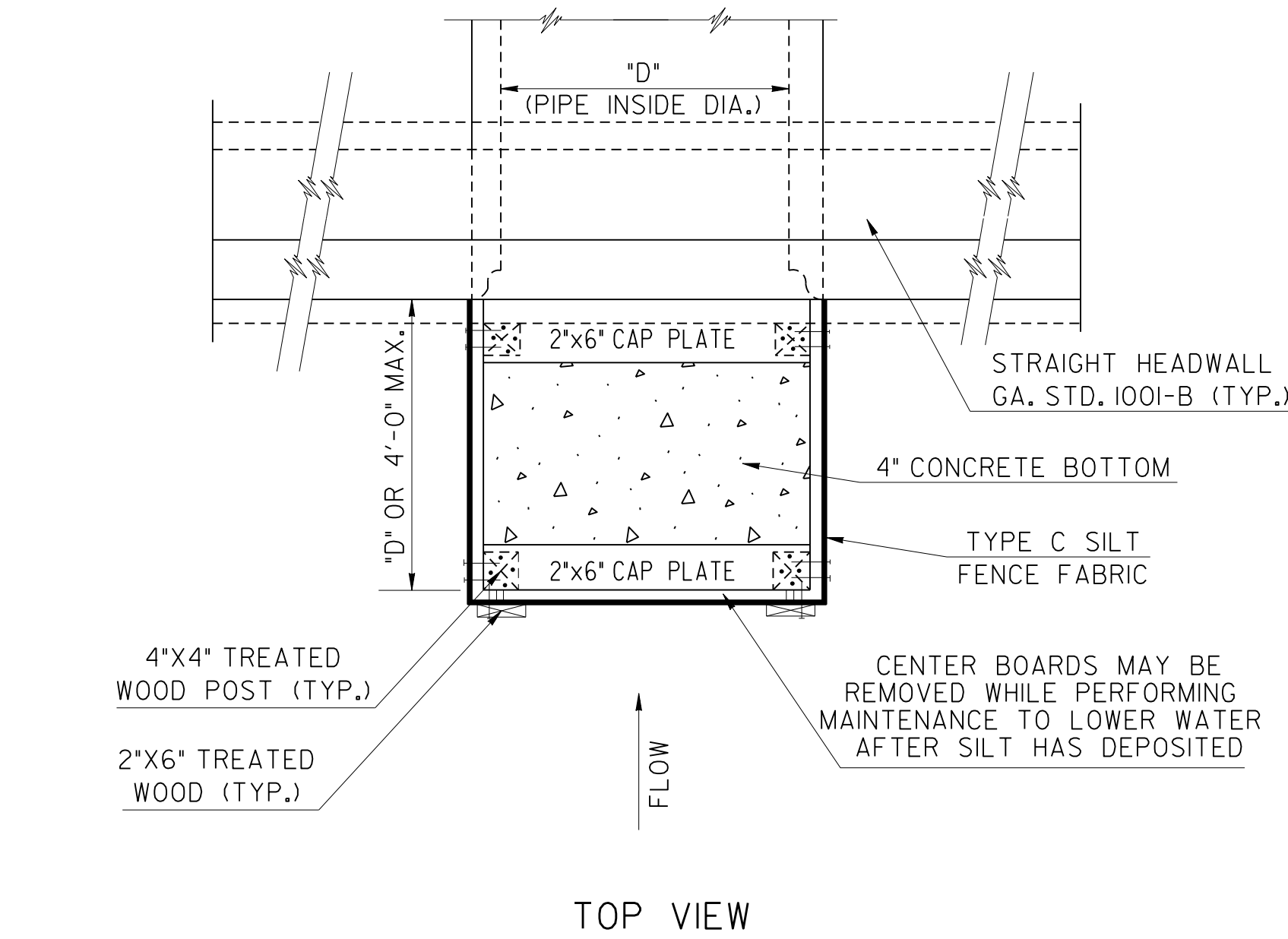
GENERAL NOTES:

- A SILT CONTROL GATE IS A TEMPORARY STRUCTURE PLACED AT INLETS TO FORM A BASIN FOR TRAPPING SEDIMENT.
- SILT GATES SHALL NOT BE USED ON STRUCTURES THAT CONVEY STATE WATERS.
- SILT GATES SHALL ONLY BE USED ON DRAINAGE AREAS UP TO 50-ACRES WITH NO MORE THAN 5-ACRES DISTURBED WITHIN THE DRAINAGE AREA.
- USE WOOD SCREWS OR NAILS TO CONNECT WOOD COMPONENTS WITH NO SPACE ALLOWED BETWEEN BOARDS. TYPE C SILT FENCE FABRIC MUST BE FASTENED SECURELY WITH STAPLES OR NAILS TO OUTSIDE FACE OF BOARDS AND COVERING ALL BUTT-JOINTS BETWEEN BOARDS. OVERLAP ADDITIONAL SILT FENCE FABRIC A MINIMUM OF 12-INCHES.
- REMOVE SEDIMENT WHEN IT REACHES ONE-THIRD THE HEIGHT OF SILT CONTROL GATE AND SILT FENCE FABRIC SHALL BE REPLACED WHEN DAMAGED OR DETERIORATED.

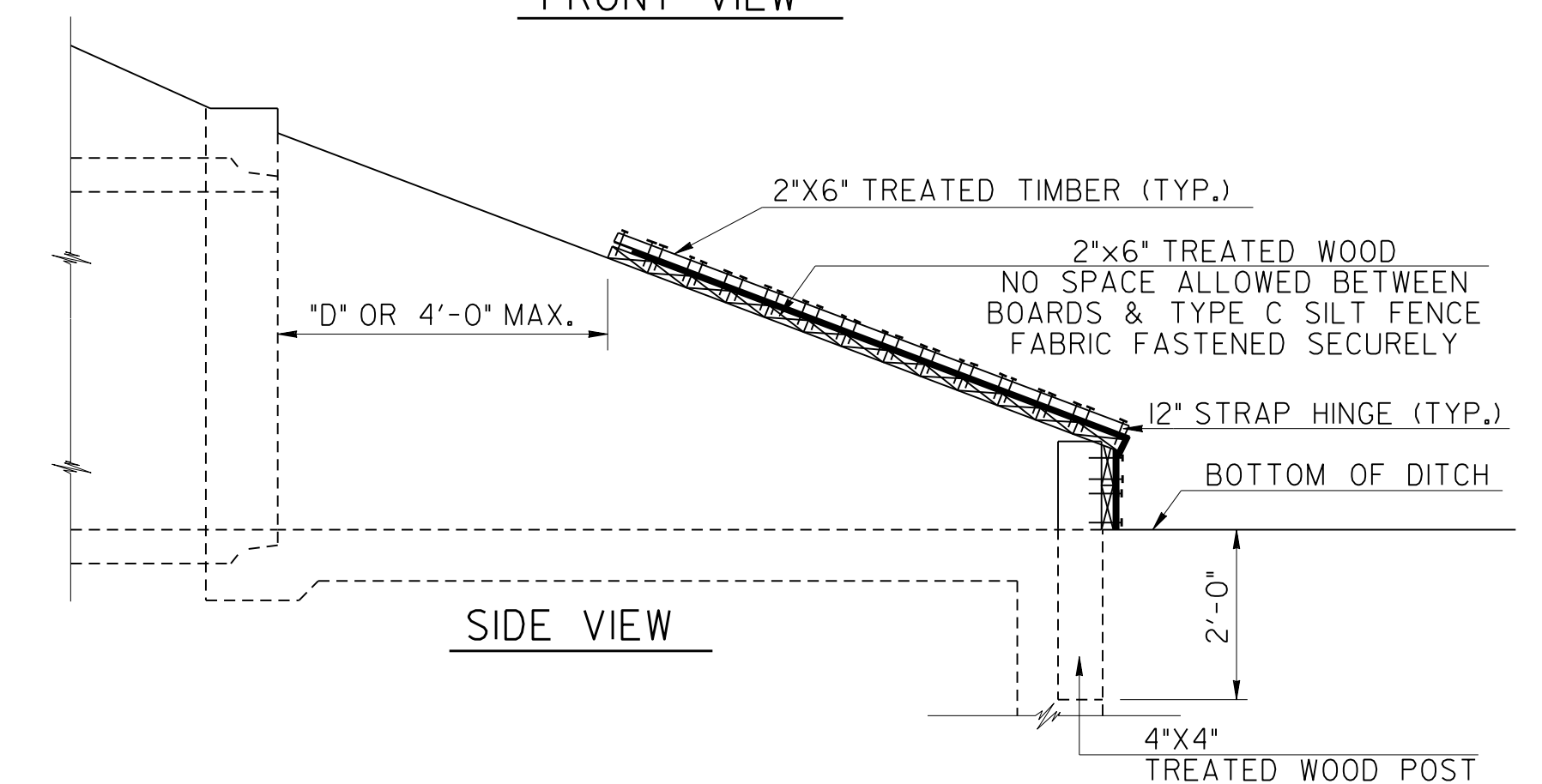
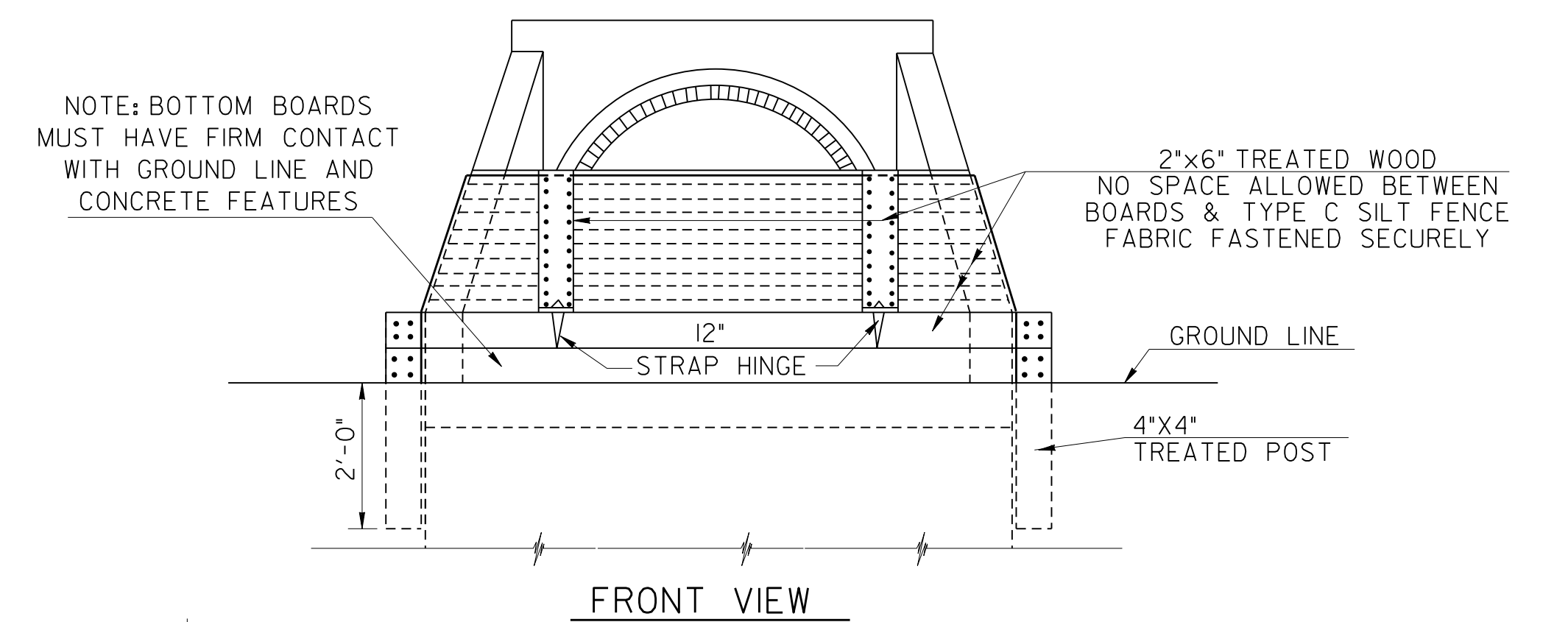
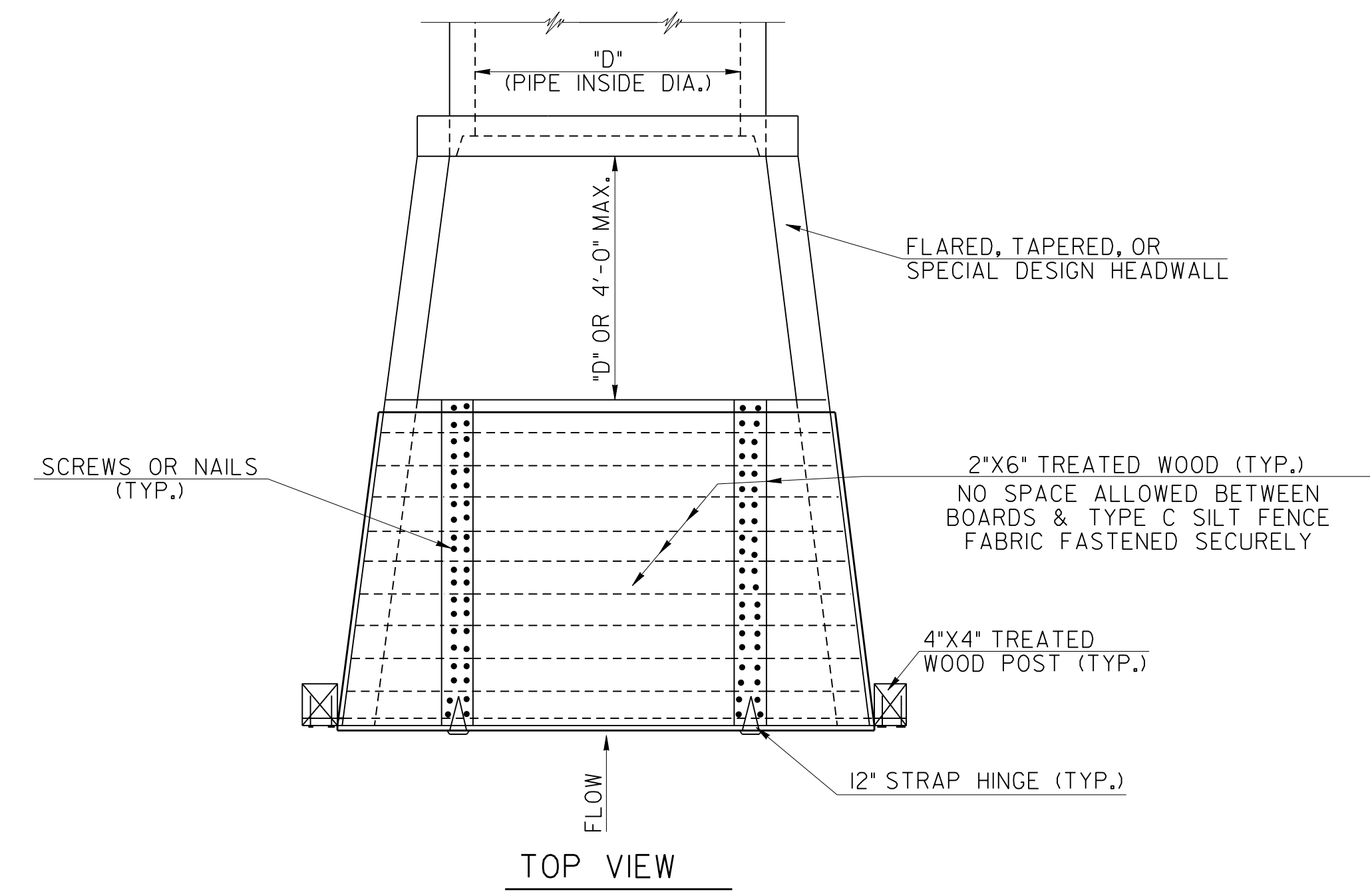
PAY ITEMS:

163-0501	CONSTRUCT AND REMOVE SILT CONTROL GATE, TP 1	(EA)
163-0502	CONSTRUCT AND REMOVE SILT CONTROL GATE, TP 2	(EA)
163-0503	CONSTRUCT AND REMOVE SILT CONTROL GATE, TP 3	(EA)
165-0085	MAINTENANCE OF SILT CONTROL GATE, TP 1	(EA)
165-0086	MAINTENANCE OF SILT CONTROL GATE, TP 2	(EA)
165-0087	MAINTENANCE OF SILT CONTROL GATE, TP 3	(EA)

TYPE 2 - FOR STRAIGHT HEADWALLS



TYPE 3 - FOR FLARED END SECTIONS AND TAPERED HEADWALLS



DEPARTMENT OF TRANSPORTATION STATE OF GEORGIA			
CONSTRUCTION DETAILS			
SILT CONTROL GATES FOR STRUCTURES TYPE - 1, 2, AND 3			
NO SCALE		REV. & REDR. DEC., 2000	
NUMBER D-20			

D/E	ADD. FABRIC & ADD. NOTES	4-22-16	DATE
TPC	ADD. & REV. SILT GATE NOTES	1-19-11	
	REMOVE INLET SEDIMENT TRAP		
	REV. LUMBER SIZES		
G/O	REV. SPECIFICATION	3-21-05	
MGR	ADDED PAYMENT NOTE	10-22-02	
BY	REVISION		