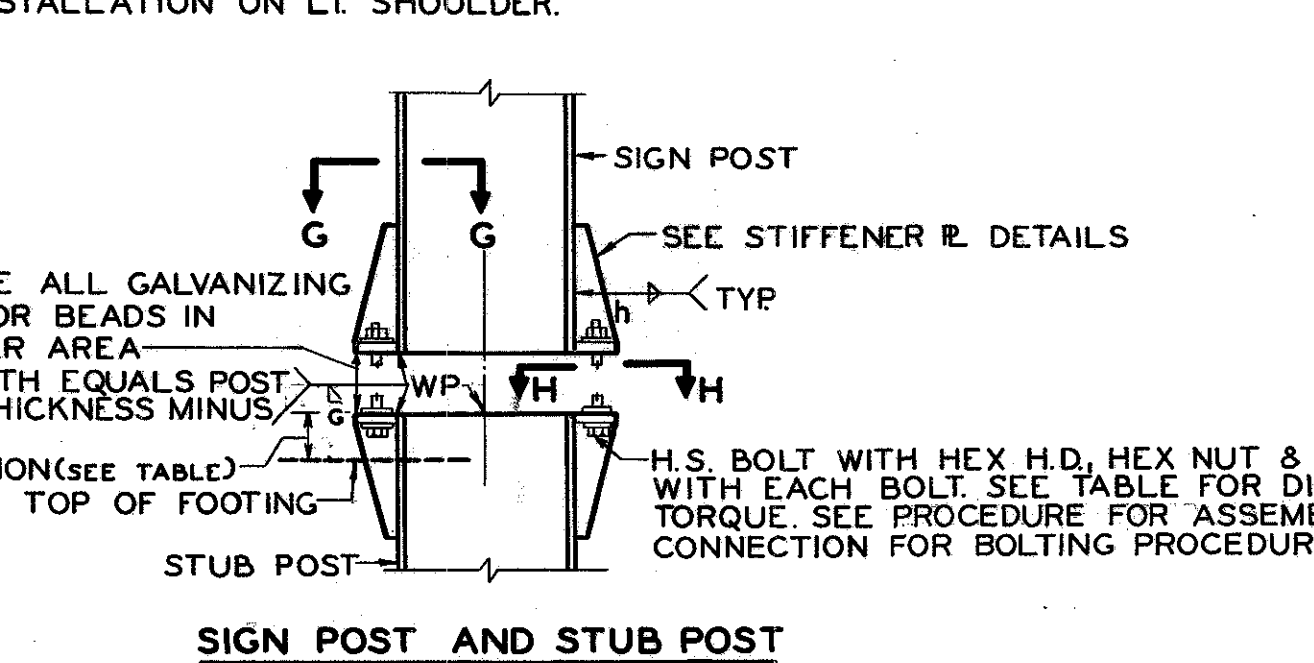
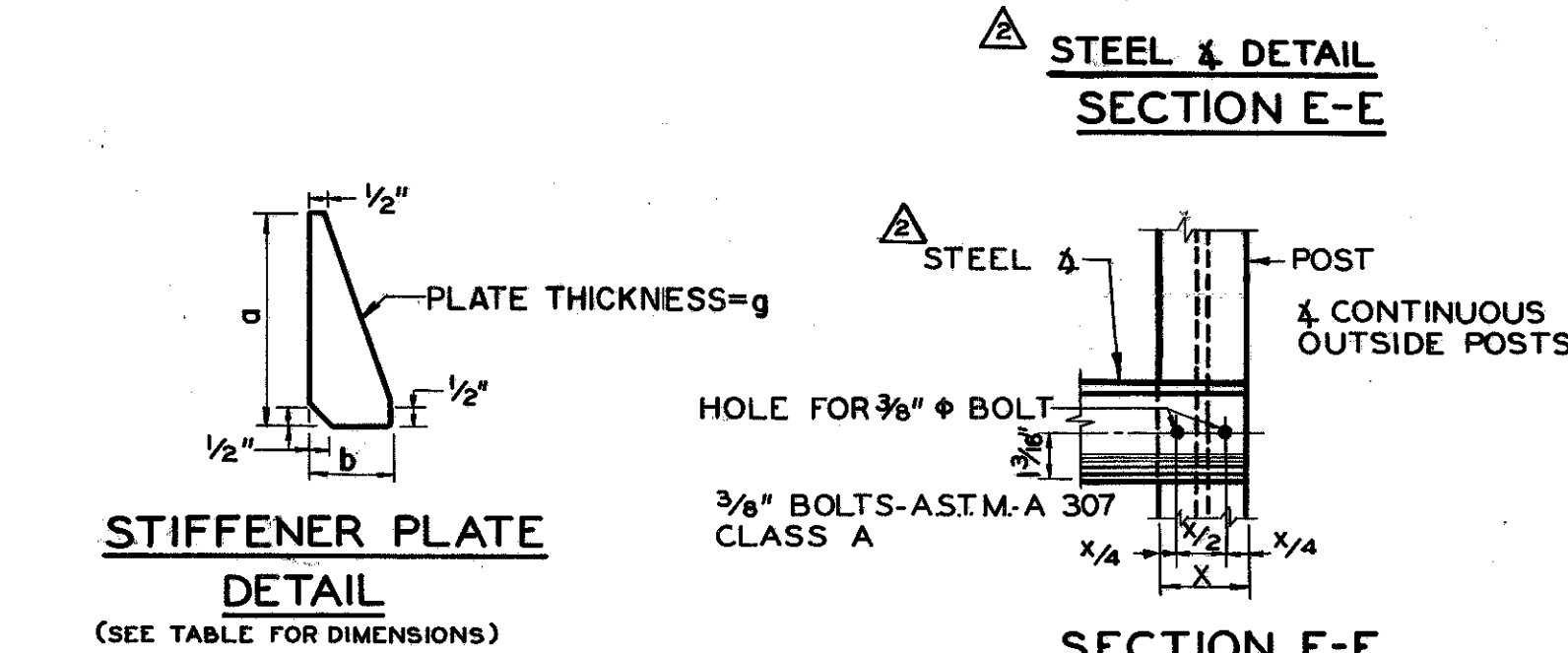
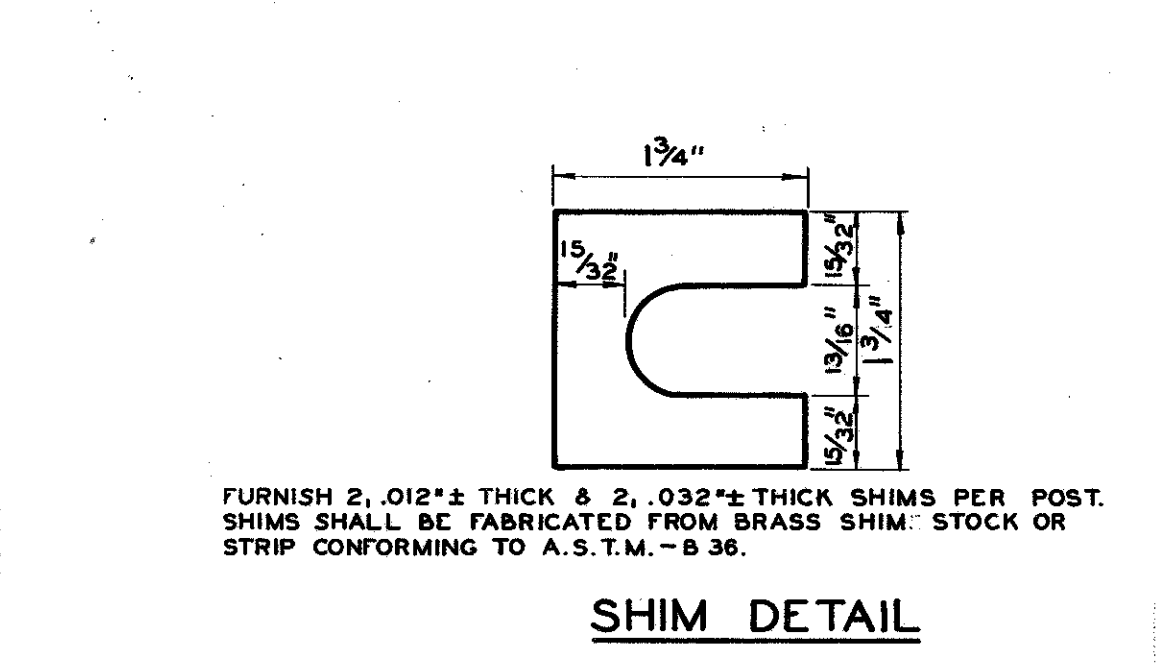
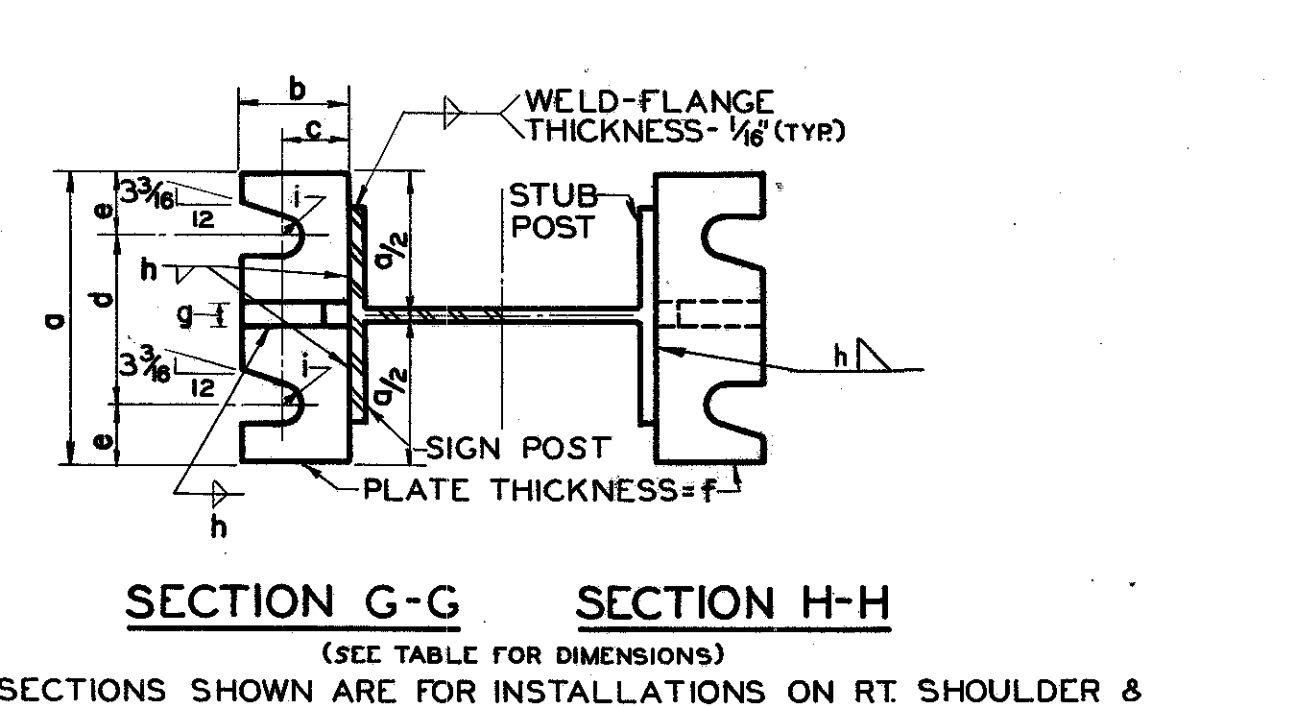
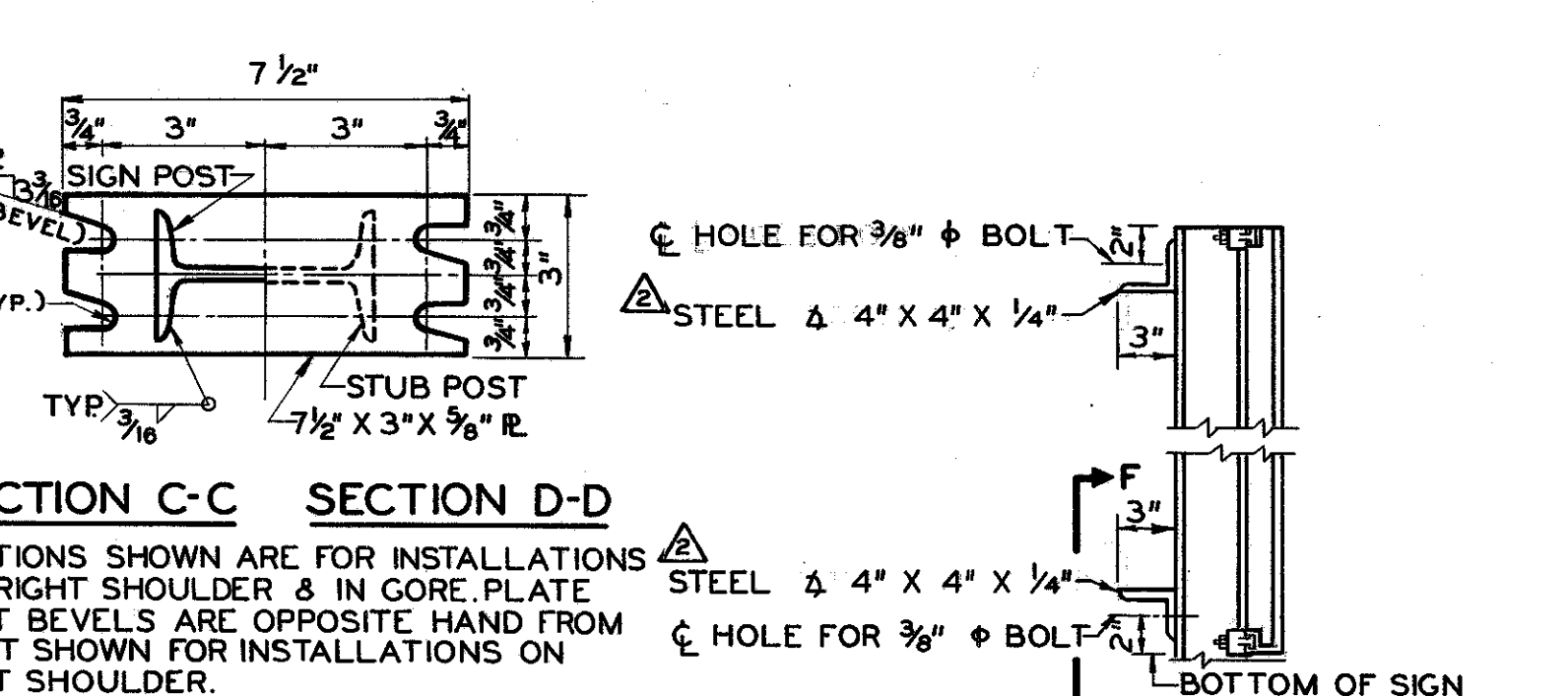
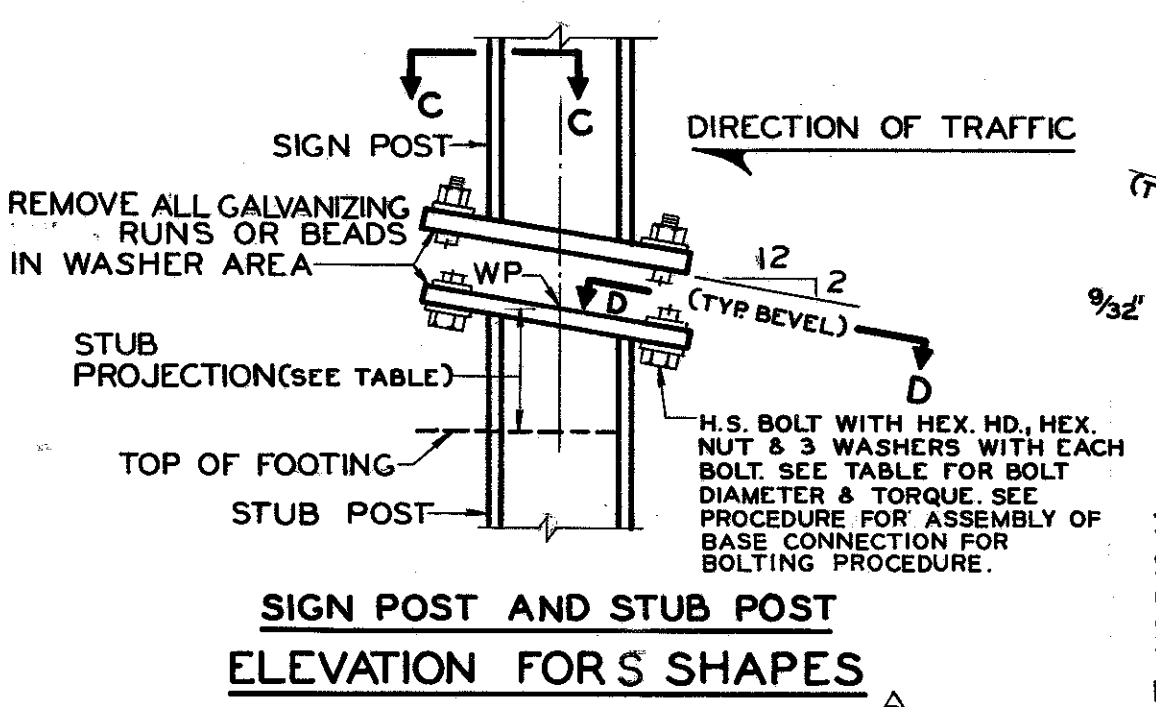


POST SIZE	DIM	BASE CONNECTION DATA TABLE									FUSE PLATE DATA TABLE											STUB POST DATA		
		BOLT SIZE & TORQUE	a	b	c	d	e	f	g	h	i	j	k	l	m	n	p	q	r	s	BOLT DIA.	STUB LENGTH	STUB PROJECTION	
S 3x5.7		1/2" φ X 2 1/2" TORQUE = 200' ##	SEE DETAIL									3 1/8"	1 1/2"	1 1/8"	2 3/8"	1 1/2"	3/8"	1/2"	3/8"	1/4"	1/2" φ	1'-6"	3 1/2"	
S 4x7.7		3/8" φ X 2 3/4" TORQUE = 450' ##	SEE DETAIL									3 3/8"	2"	1 1/8"	4"	2 1/4"	3/8"	1/2"	3/8"	1/4"	1/2" φ	2'-0"	3"	
W 6x9		3/8" φ X 2 3/4" TORQUE = 450' ##	5"	2"	1 1/4"	2 3/4"	1 1/8"	3/4"	1/2"	1/4"	1 1/2"	2 1/2"	1 1/4"	5 1/4"	2 3/4"	1 1/4"	3/4"	1 3/8"	1/2"	3/4" φ	2'-6"	3"		
W 6x12		3/8" φ X 2 3/4" TORQUE = 450' ##	5"	2"	1 1/4"	2 3/4"	1 1/8"	3/4"	1/2"	1/4"	1 1/2"	2 1/2"	1 1/4"	5 1/4"	2 3/4"	1 1/4"	3/4"	1 3/8"	1/2"	3/4" φ	2'-6"	3"		
W 6x15		3/8" φ X 2 3/4" TORQUE = 450' ##	5"	2"	1 1/4"	2 3/4"	1 1/8"	3/4"	1/2"	1/4"	1 1/2"	2 1/2"	1 1/4"	5 1/4"	2 3/4"	1 1/4"	3/4"	1 3/8"	1/2"	3/4" φ	2'-6"	3"		
W 8x18		3/4" φ X 3 1/2" TORQUE = 750' ##	6"	2 1/4"	1 3/8"	3 1/2"	1 1/4"	1"	3/4"	5/16"	1 3/4"	3 1/2"	1 1/2"	5 3/4"	2 3/4"	1 1/2"	7/8"	1 5/8"	3/4"	1/2" φ	3'-0"	2 1/2"		
W 8x21		3/4" φ X 3 1/2" TORQUE = 750' ##	6"	2 1/4"	1 3/8"	3 1/2"	1 1/4"	1"	3/4"	5/16"	1 3/4"	3 1/2"	1 1/2"	5 3/4"	2 3/4"	1 1/2"	7/8"	1 5/8"	3/4"	1/2" φ	3'-0"	2 1/2"		
W 10x22		3/4" φ X 3 1/2" TORQUE = 750' ##	6"	2 1/4"	1 3/8"	3 1/2"	1 1/4"	1"	3/4"	5/16"	1 3/4"	3 1/2"	1 1/2"	5 3/4"	2 3/4"	1 1/2"	7/8"	1 5/8"	3/4"	1/2" φ	3'-0"	2 1/2"		
W 10x26		3/4" φ X 3 1/2" TORQUE = 750' ##	6"	2 1/4"	1 3/8"	3 1/2"	1 1/4"	1"	3/4"	5/16"	1 3/4"	3 1/2"	1 1/2"	5 3/4"	2 3/4"	1 1/2"	7/8"	1 5/8"	3/4"	1/2" φ	3'-0"	2 1/2"		
W 12x26		3/4" φ X 3 1/2" TORQUE = 750' ##	6"	2 1/4"	1 3/8"	3 1/2"	1 1/4"	1"	3/4"	5/16"	1 3/4"	3 1/2"	1 1/2"	5 3/4"	2 3/4"	1 1/2"	7/8"	1 5/8"	3/4"	1/2" φ	3'-0"	2 1/2"		



DEPARTMENT OF TRANSPORTATION STATE OF GEORGIA			
STANDARD ERECTION AND FOUNDATION DETAILS FOR SPECIAL ROADSIDE SIGNS BREAKAWAY TYPE POSTS			
NO SCALE		JULY 1970	
DATE: 3-10-71 REVISIONS: 1. BAR DESIGNATION ADDED 10-7-77 2. CH. # BARS TO 3/8" & REV. NOTE 10-20-81 3. H.W.C. 4. R.M.U.	DESIGNED: HWC DRAWN: MGN TRACED: CCG CHECKED: HJL	SUBMITTED: <i>E.L. Chapman</i> BRIDGE ENGINEER	NUMBER 9054A

*FOR TYPE 3 FOOTINGS WITH LESS THAN 4'-6 1/2" EARTH COVER TO ROCK, BUILD FOOTINGS ACCORDING TO DETAIL "A". THE DIAMETER OF THE UPPER CONCRETE PORTION OF THE FOOTING WILL BE 3'-0". SHOULD 4'-6 1/2" OR MORE OF EARTH COVER EXIST BUT LESS THAN "D" SECURELY SOCKET PILE INTO ROCK STRATA 1'-0" ± PILE SHALL BE EXTENDED INTO CONCRETE 1'-8".

IN CASE THE PILE CAN NOT BE SECURELY SOCKETED INTO ROCK 1'-0" ±, THE SIGN MAY BE MOVED UP TO 50 FEET UP OR DOWN THE ROAD TO OBTAIN A BETTER FOUNDATION.

PROCEDURE FOR ASSEMBLY OF BASE CONNECTION

- ASSEMBLE POST TO STUB WITH BOLTS & WITH ONE FLAT WASHER ON EACH BOLT BETWEEN PLATES.
- SHIM AS REQUIRED TO PLUMB POST.
- TIGHTEN ALL BOLTS TO THE MAXIMUM POSSIBLE WITH A 12" TO 15" WRENCH TO BED WASHERS & SHIMS & TO CLEAN BOLT THREADS. THEN LOOSEN EACH BOLT IN TURN & RETIGHTEN IN A SYSTEMATIC ORDER TO THE PRESCRIBED TORQUE. (SEE TABLE)
- BURR THREADS AT JUNCTION WITH NUT USING A CENTER PUNCH TO PREVENT NUT LOOSENING.