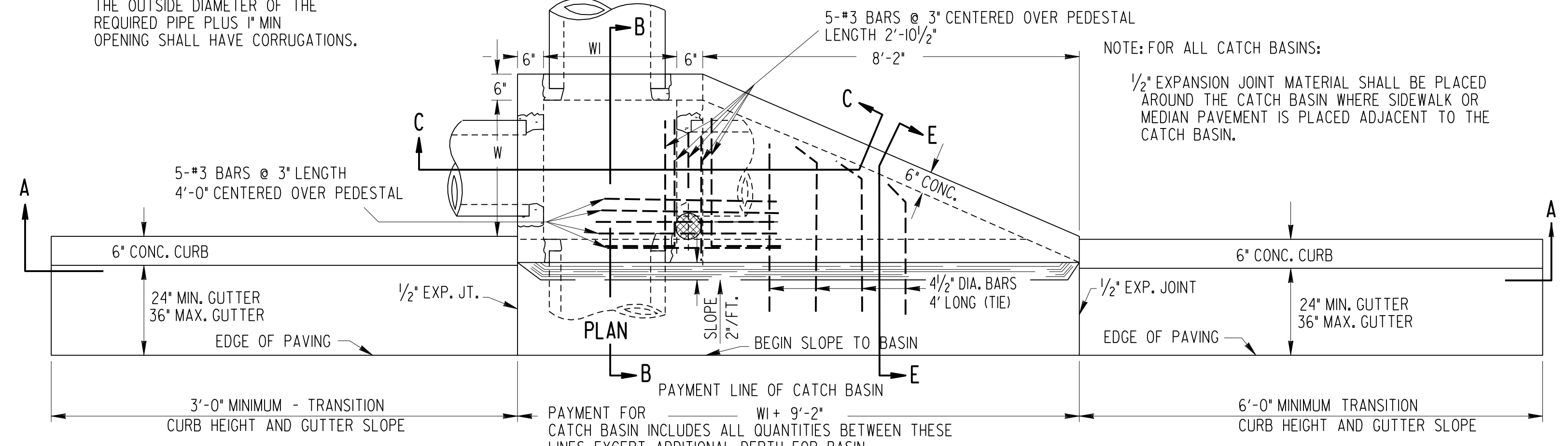


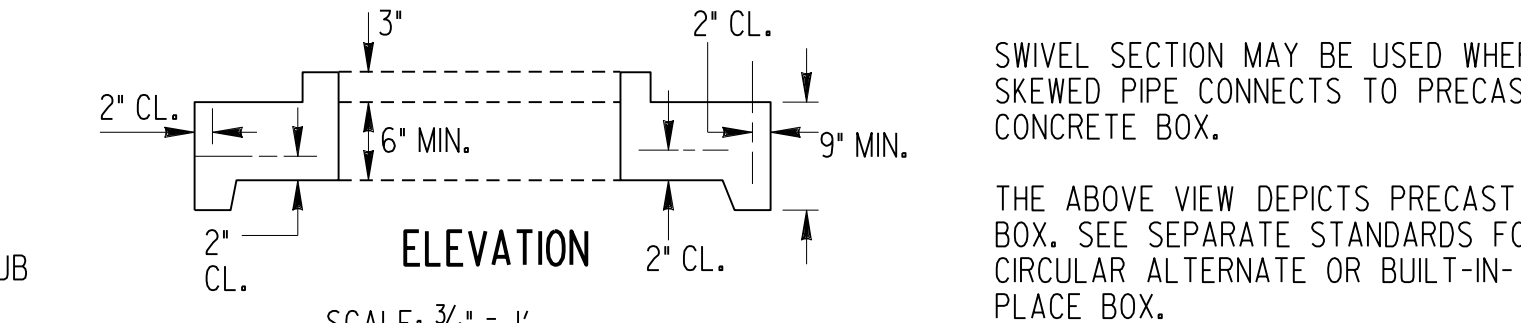
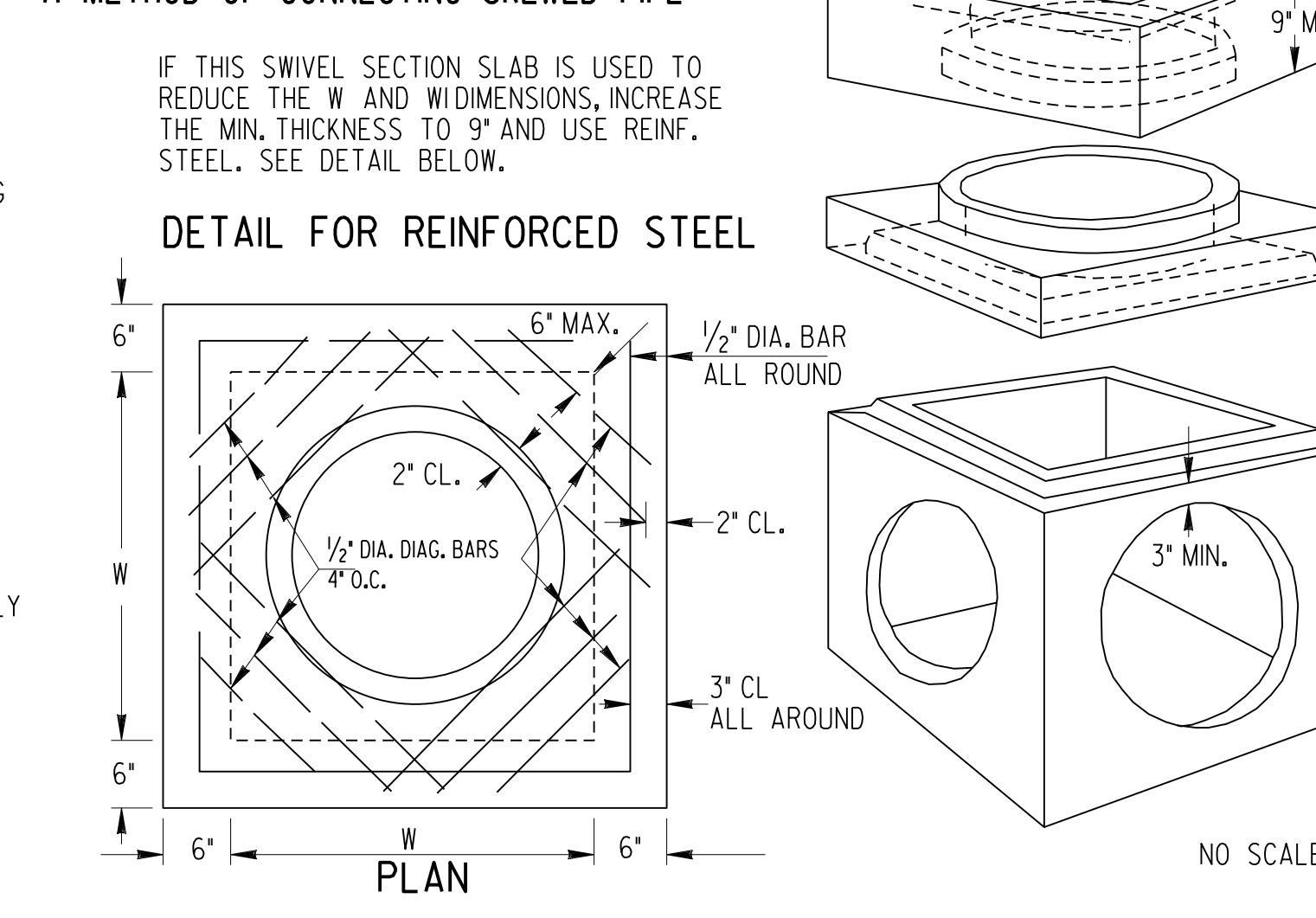
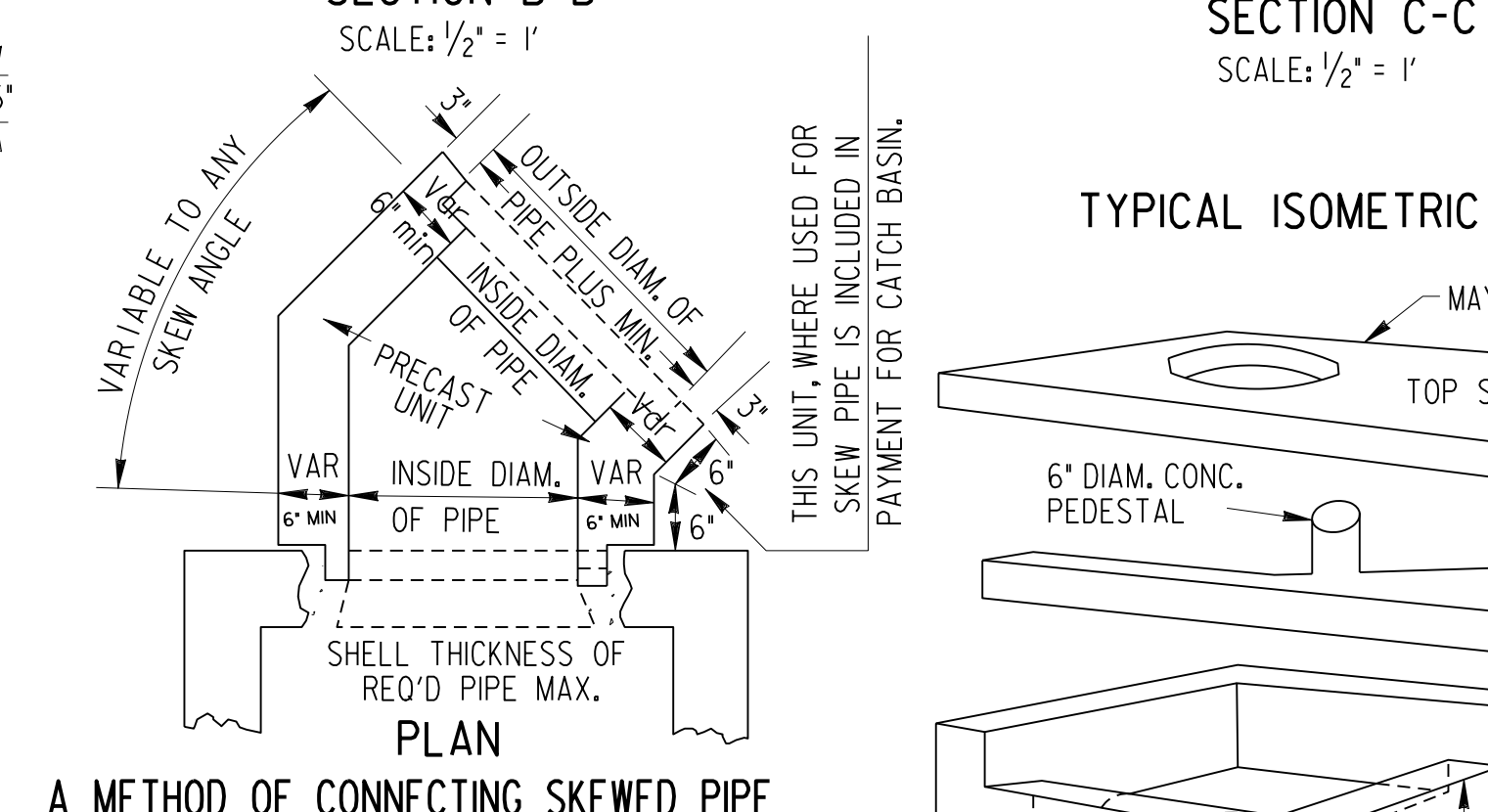
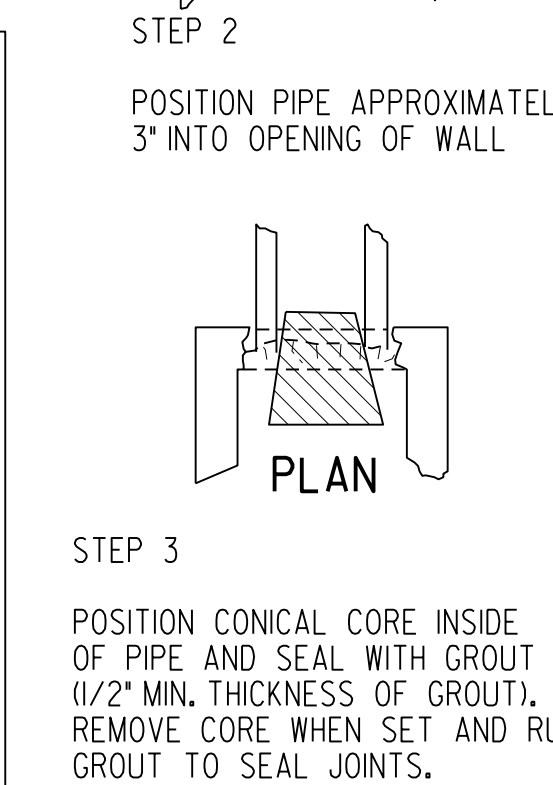
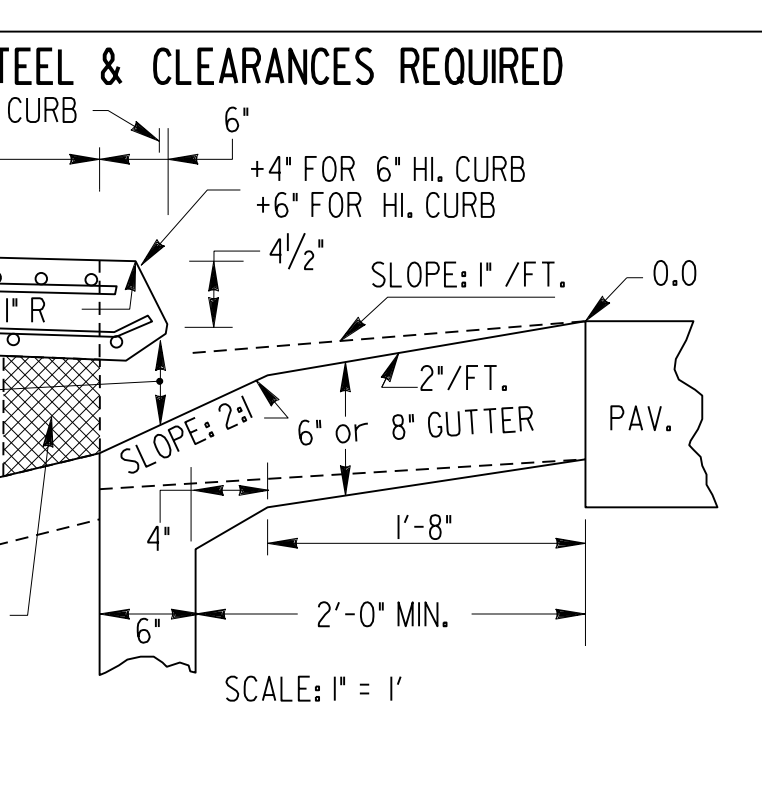
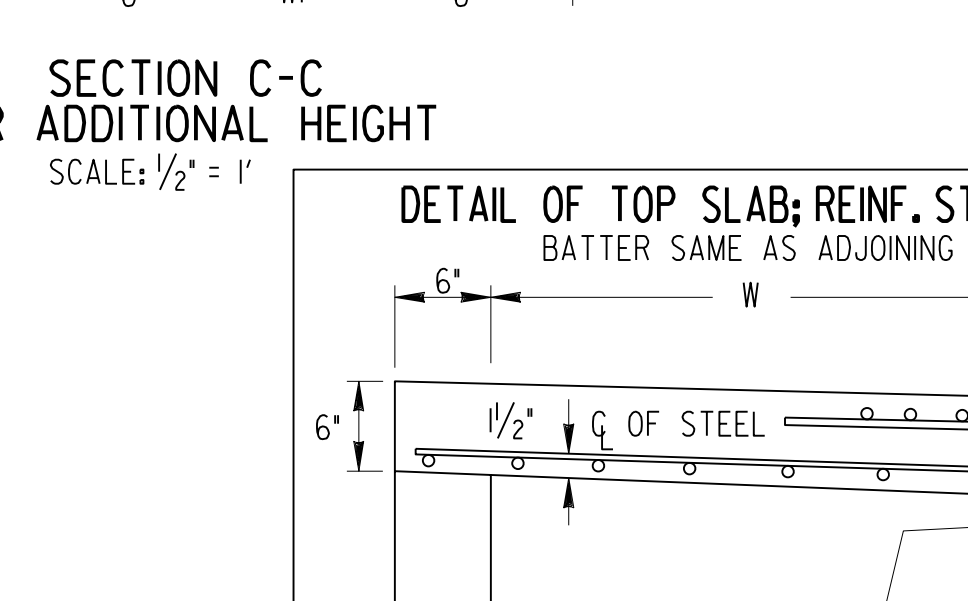
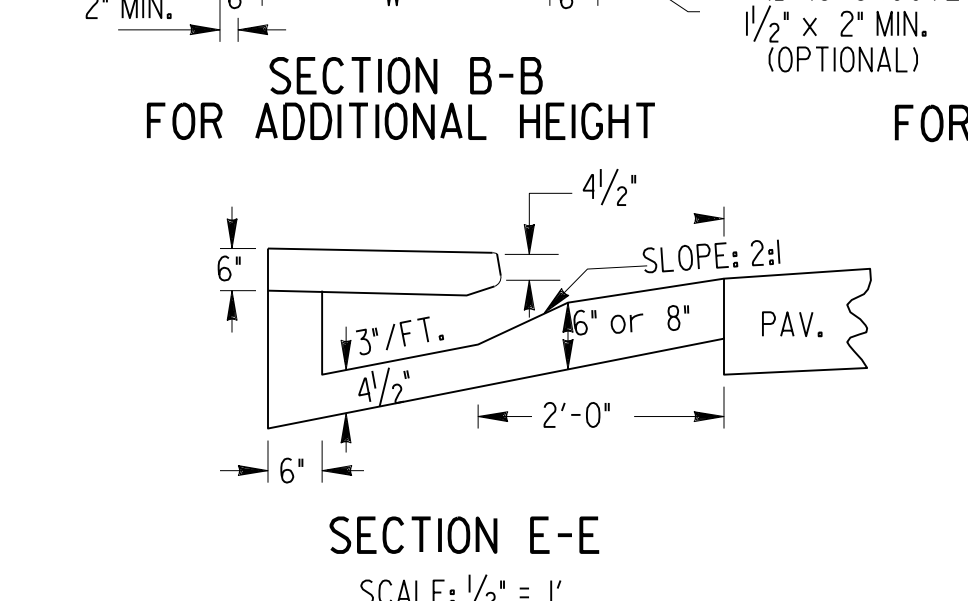
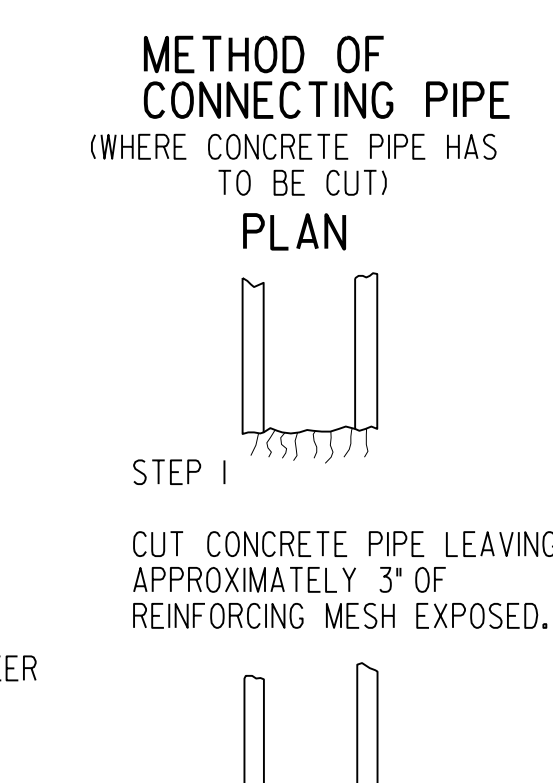
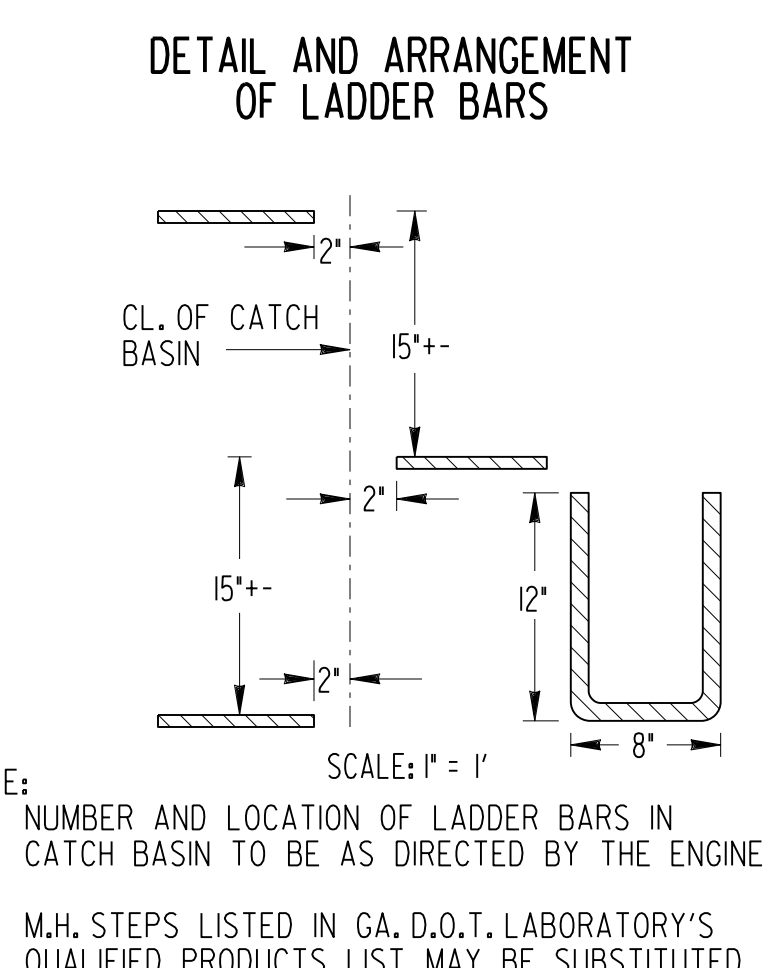
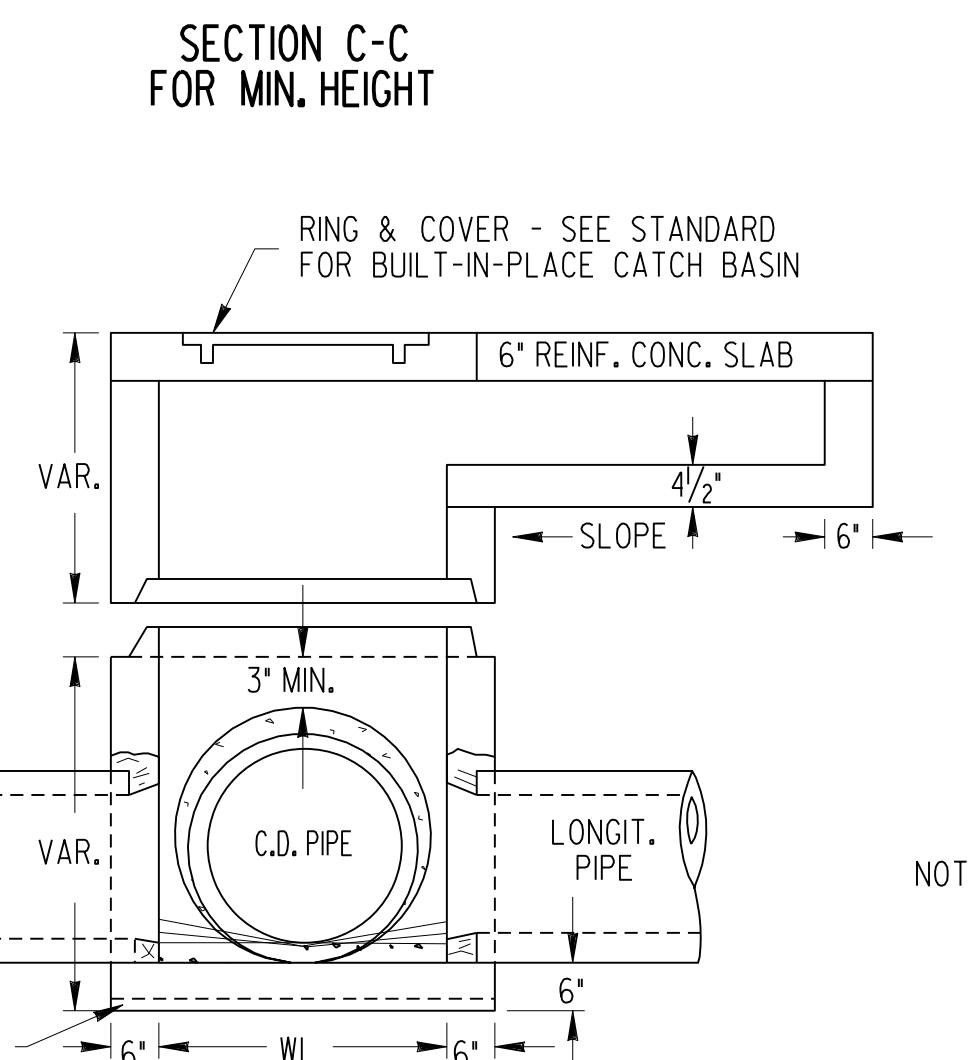
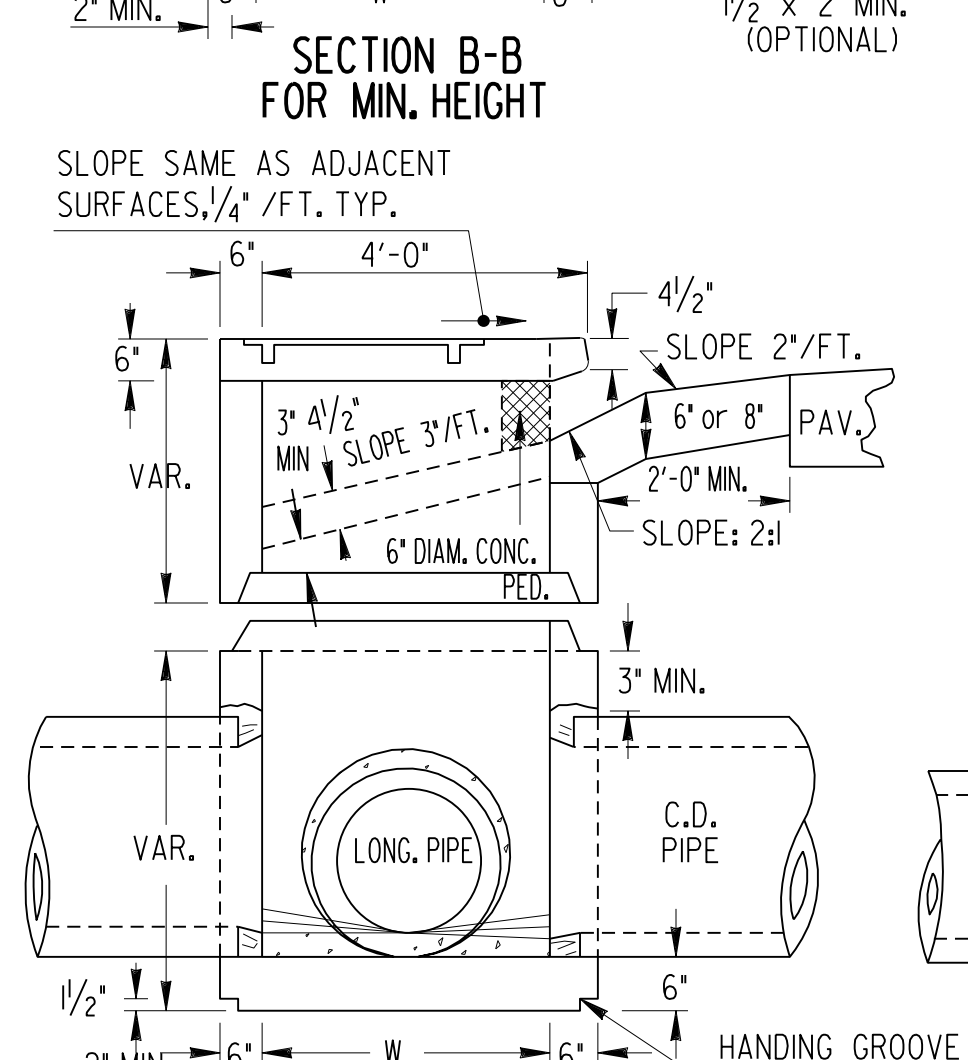
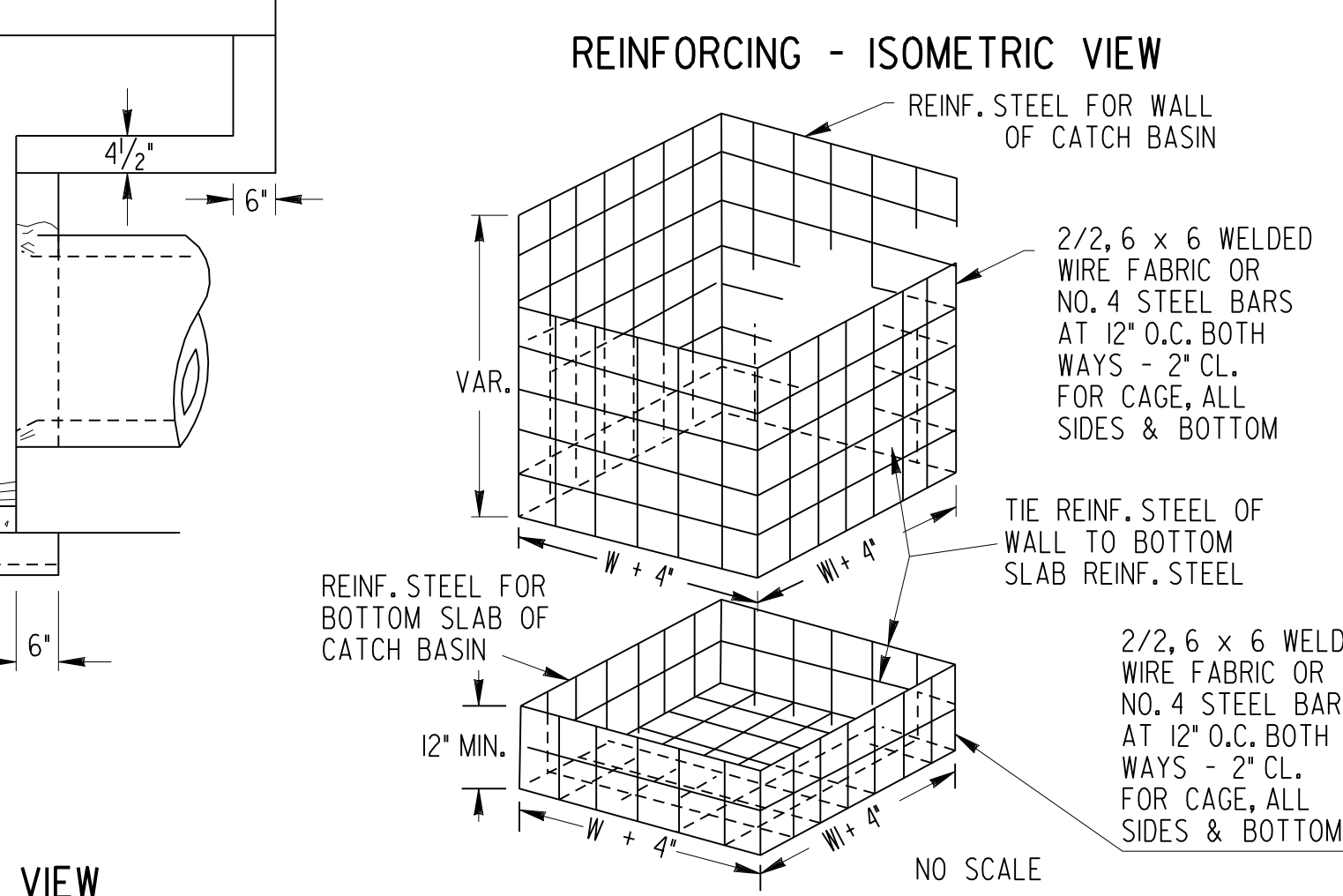
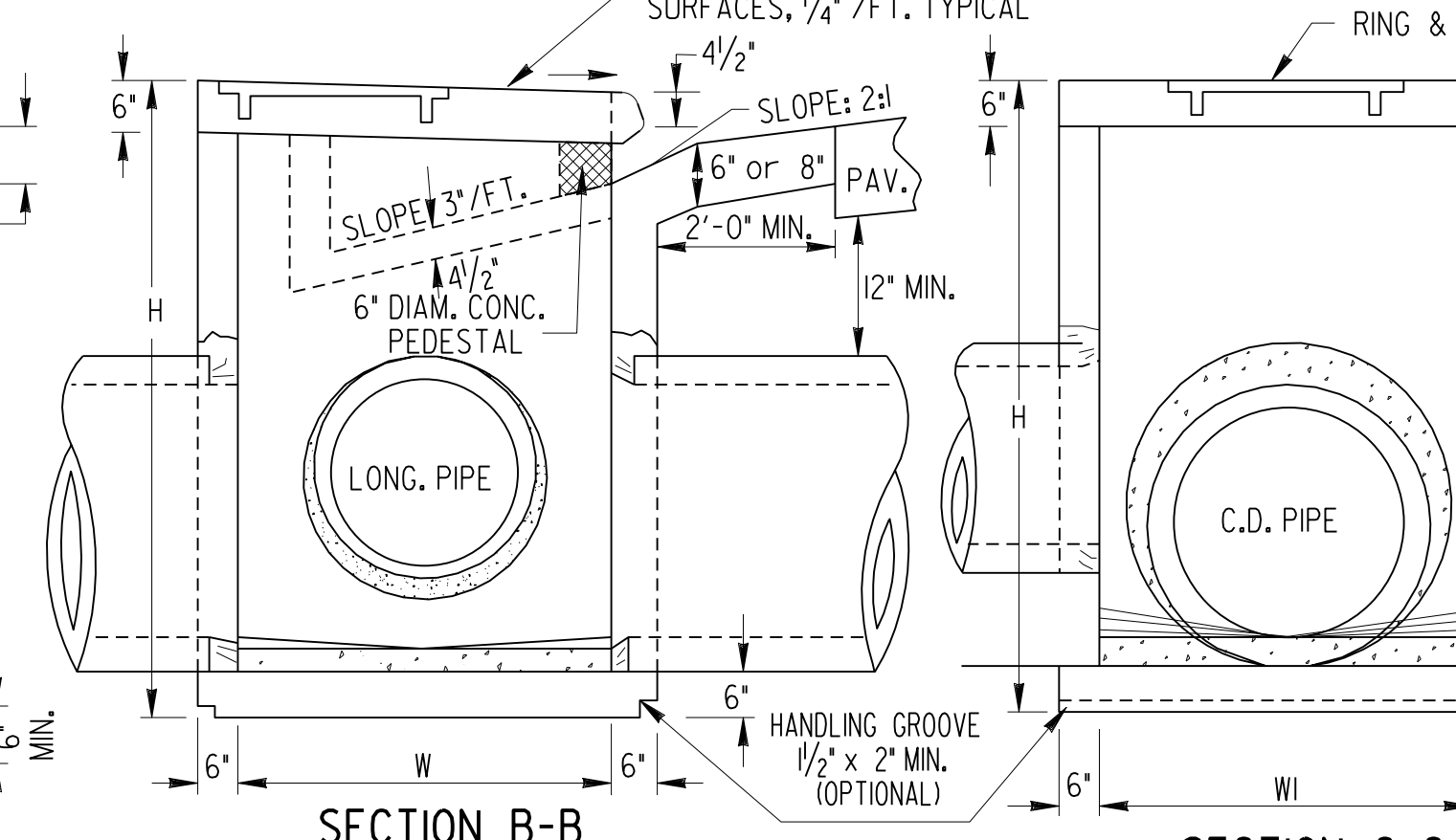
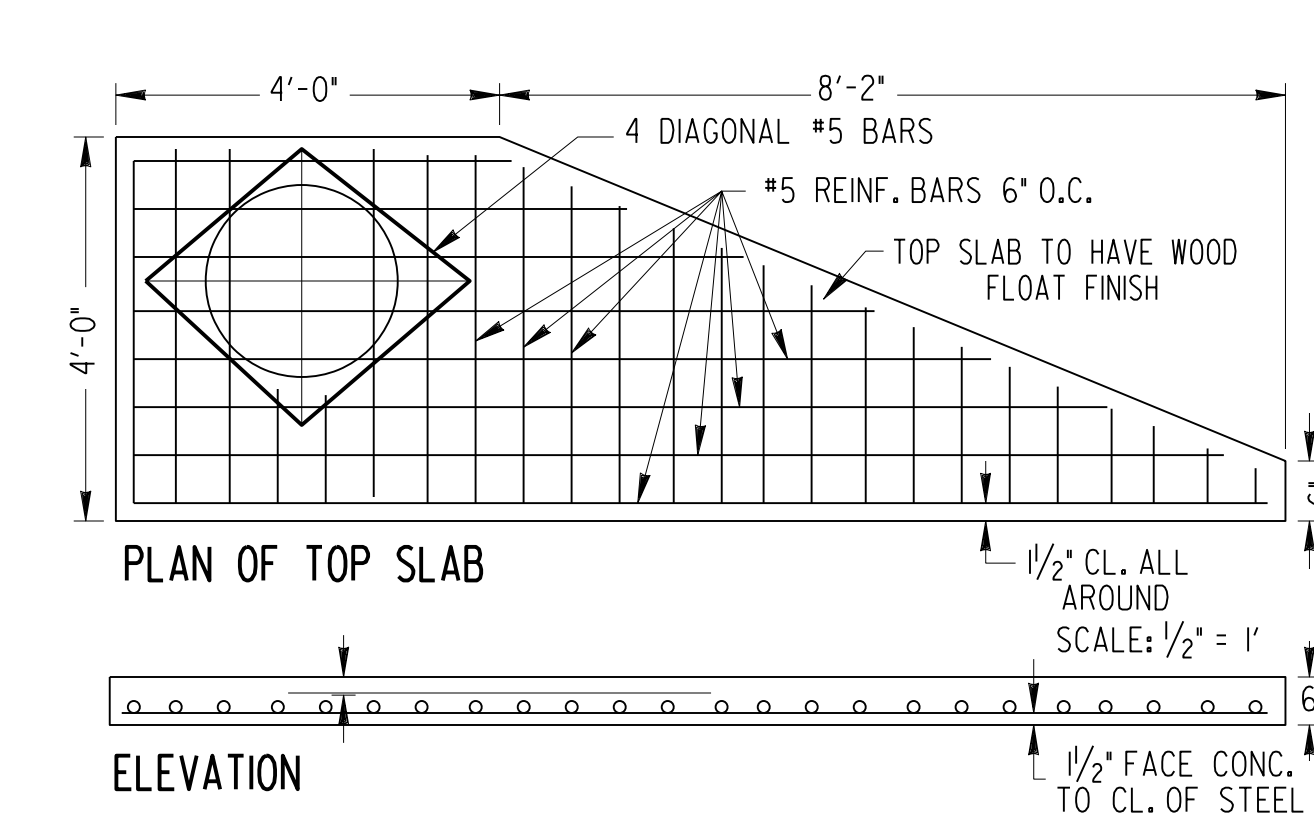
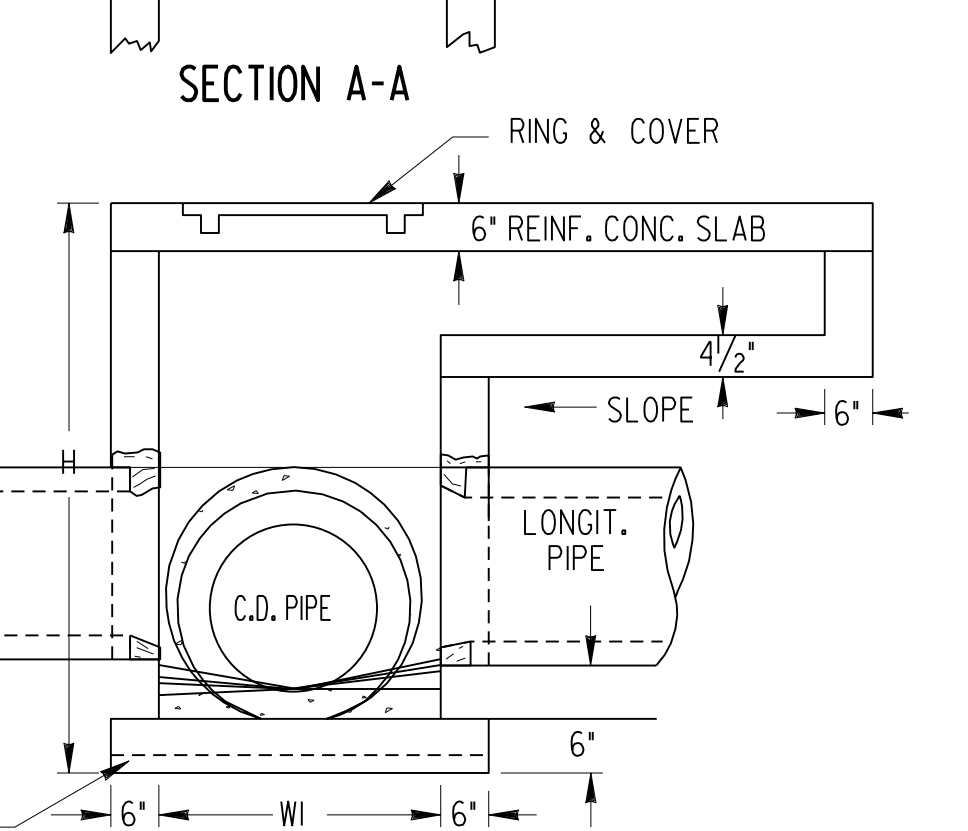
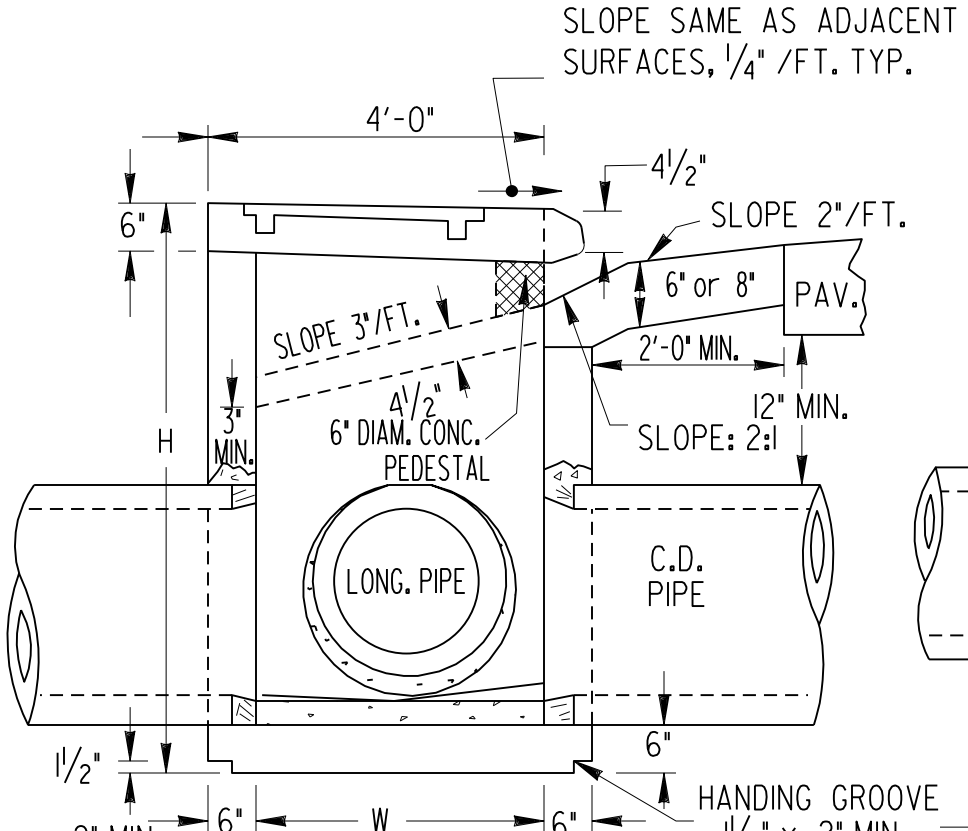
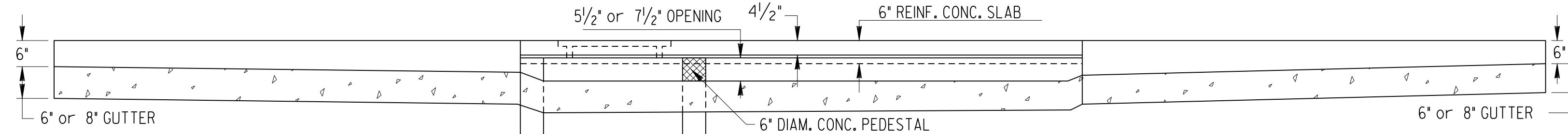
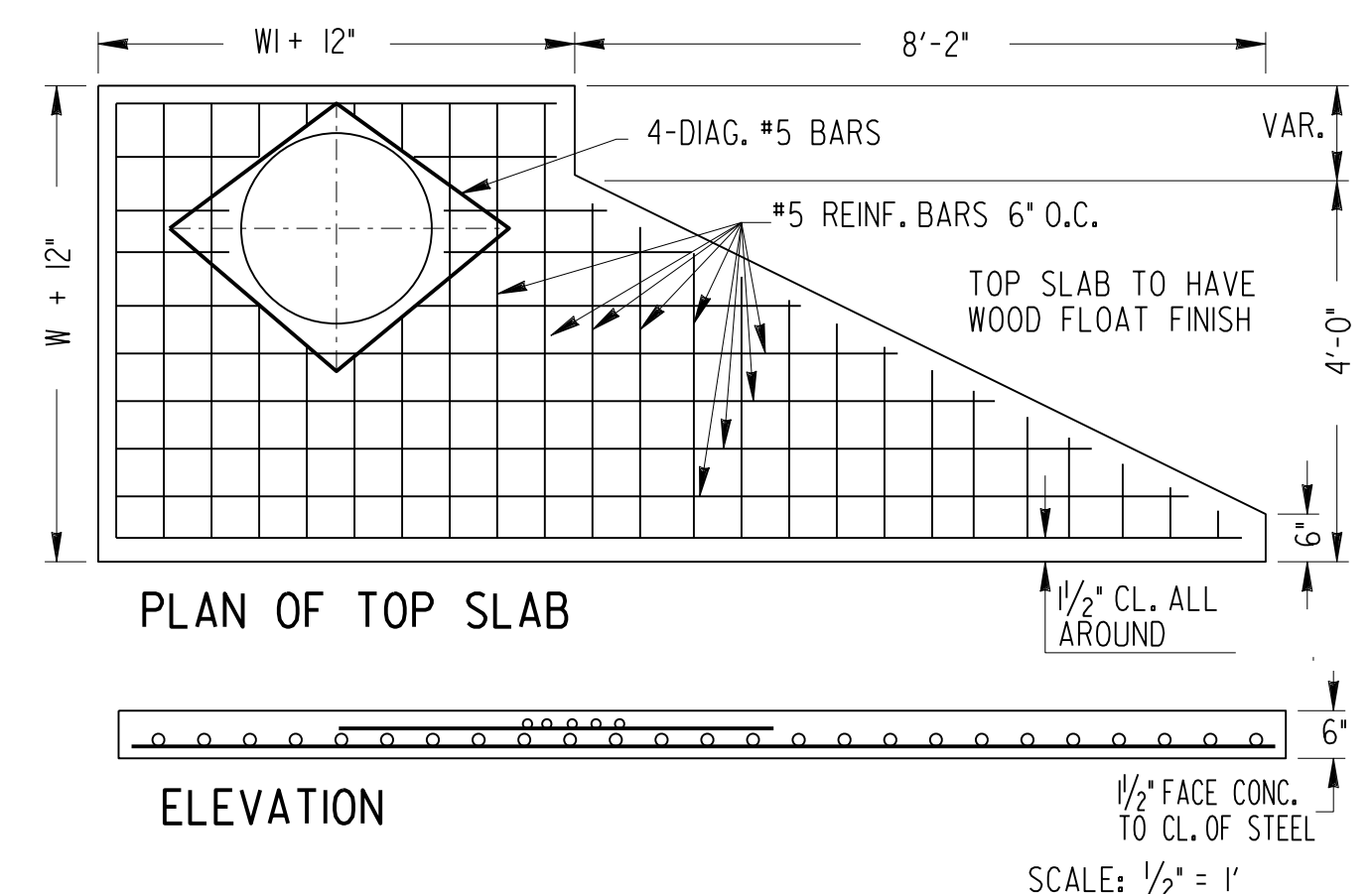
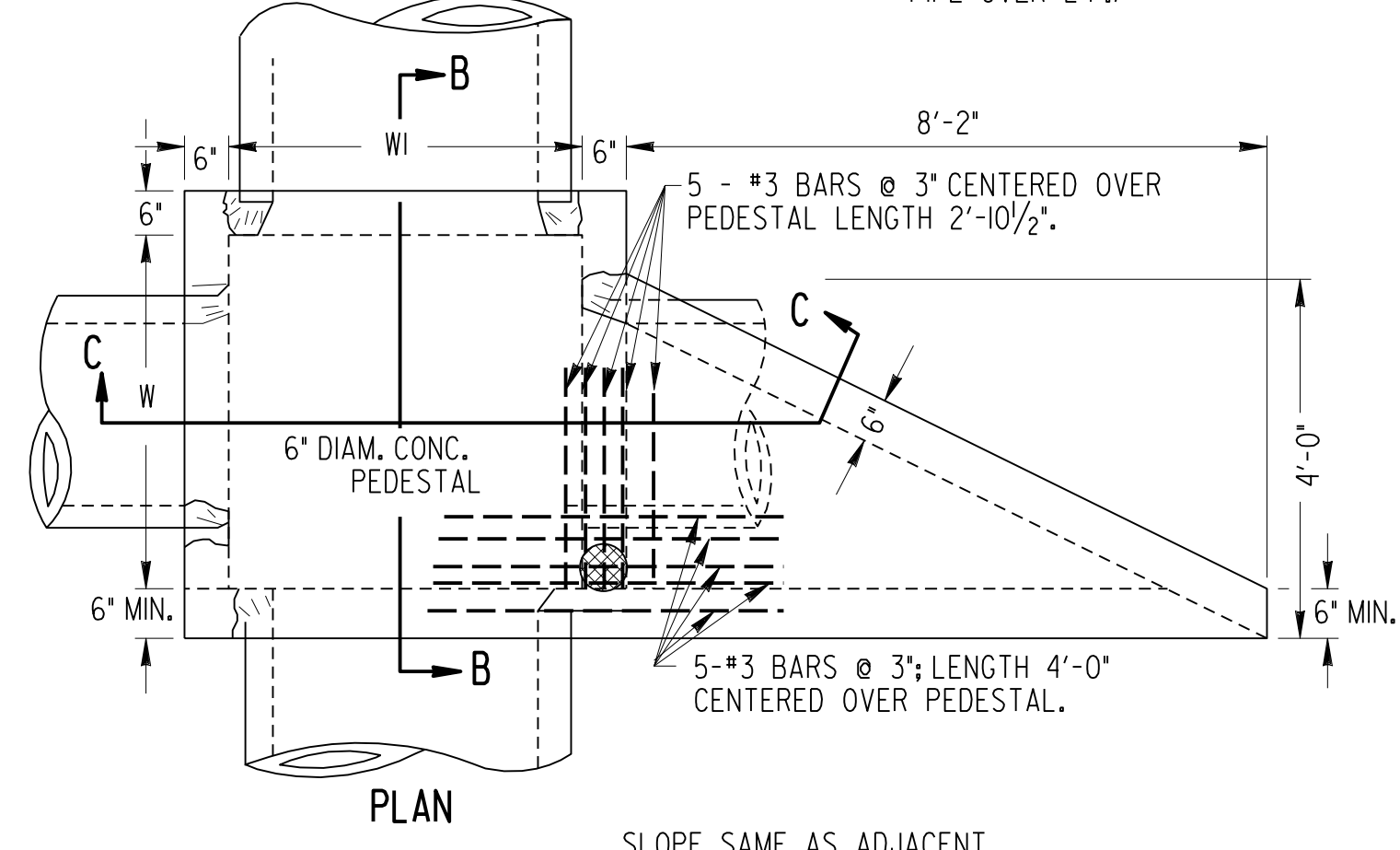
NOTE: OPENING FOR PIPE SHALL BE THE OUTSIDE DIAMETER OF THE REQUIRED PIPE PLUS 1" MIN. OPENING SHALL HAVE CORRUGATIONS.

**CATCH BASIN** (IF CATCH BASIN HAS LONGITUDINAL PIPE OVER 24", SEE DETAILS AT RIGHT.)



NOTE: FOR ALL CATCH BASINS:  
1/2" EXPANSION JOINT MATERIAL SHALL BE PLACED AROUND THE CATCH BASIN WHERE SIDEWALK OR MEDIAN PAVEMENT IS PLACED ADJACENT TO THE CATCH BASIN.

**CATCH BASIN** (TYPICAL FOR CATCH BASIN WITH LONGITUDINAL PIPE OVER 24")



NOTE: REINFORCING SHOWN ABOVE IS REQUIRED FOR BOX SHAPED BASIN. REINFORCING FOR CIRCULAR PRECAST ALTERNATE SHALL BE ACCORDING TO STD. I040.

ALL JOINTS BETWEEN PRECAST RISERS OR BETWEEN PRECAST BASE AND RISER WILL BE KEYS. KEYS JOINTS SHOWN ARE TYPICAL AND MAY BE VARIED.

PIPE SIZE	NORMAL W OR W1	MIN H
12"	3'-0"	4'-4"
15"	3'-0"	4'-7"
18"	3'-0"	4'-10"
24"	3'-0"	5'-6"
30"	3'-6"	6'-2"
36"	4'-0"	6'-10"
42"	5'-0"	7'-4"
48"	5'-0"	8'-0"
54"	6'-0"	8'-6"
60"	6'-0"	9'-2"

NOTE: DIMENSIONS FOR CATCH BASINS ARE BASED UPON TYPICAL OUTSIDE DIAMETERS OF CONCRETE PIPES AND MAY BE VARIED IF CONDITIONS PERMIT AND THE ENGINEER APPROVES. W & W1 DIMENSIONS DO NOT HAVE TO BE EQUAL.

ALTERNATE: BUILT-IN-PLACE, PRECAST BOX, AND/OR PRECAST CIRCULAR UNITS WITH THE REQUIRED ADAPTERS, REDUCERS, FITTINGS, CONNECTORS, ETC. MAY BE USED IN COMBINATIONS.

NOTE: FOR RING & COVER DETAILS AND OTHER DETAILS NOT SHOWN, SEE STANDARD I033 D FOR BUILT-IN-PLACE CATCH BASIN.

DEPARTMENT OF TRANSPORTATION  
STATE OF GEORGIA

STANDARD  
PRECAST CATCH BASINS  
FOR USE WITH CURB (6" OR 8" HT.)  
& GUTTER

SCALE AS SHOWN

REV. & REDR., SEPT. 1982

DATE	REVISION	BY	REVISION
		REV. & REDR. R.M.U., TRA. G.M.E., CHK. B.K.C.	(SUBMITTED) STATE ROAD & AIRPORT DESIGN ENGR. (APPROVED) STATE HIGHWAY ENGINEER

NUMBER  
1033D  
PRECAST