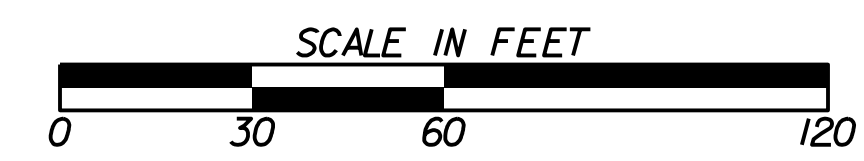
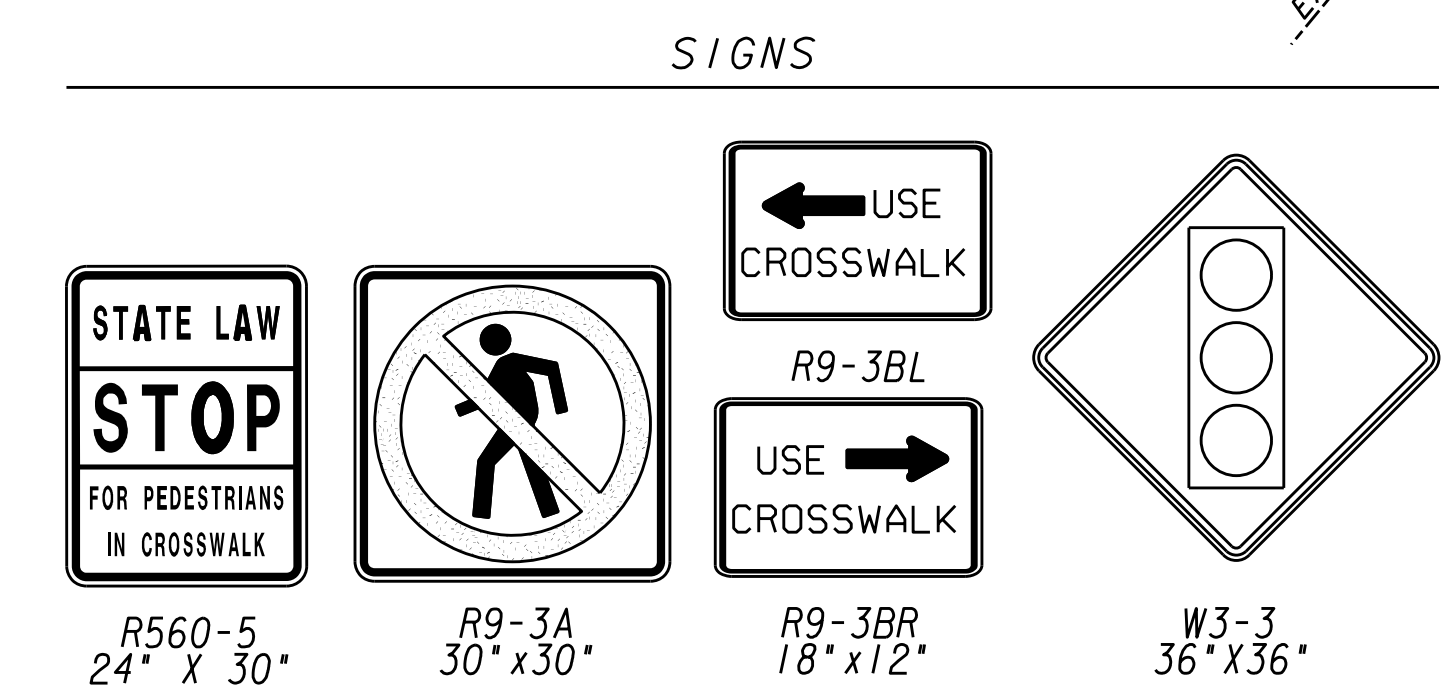
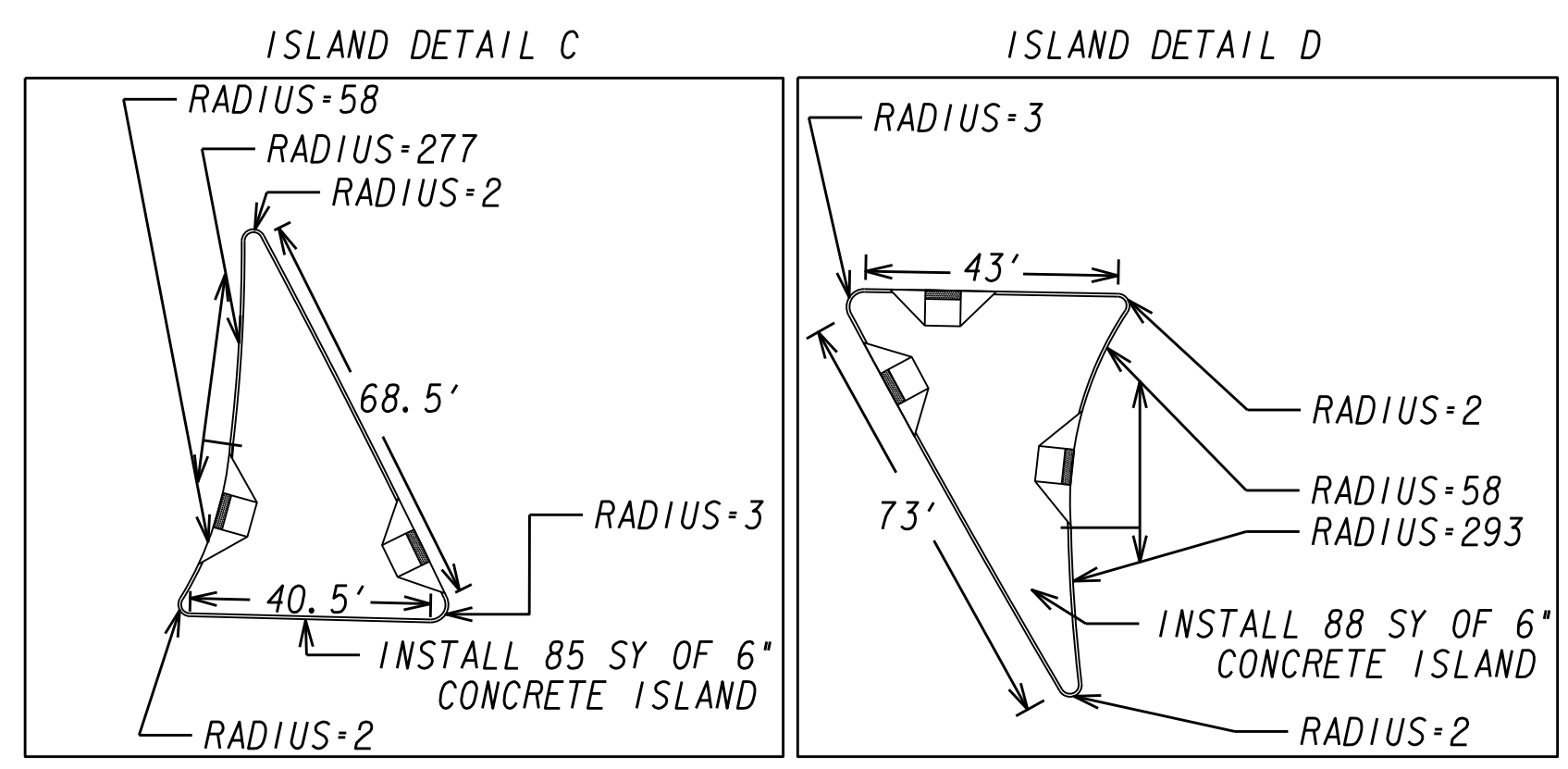


W3-3 SIGNS WITH FLASHERS
INSTALLED PER SIGNAL PLANS



| REVISION DATES | |
|----------------|--|
| | |
| | |
| | |
| | |

STATE OF GEORGIA
DEPARTMENT OF TRANSPORTATION
OFFICE: PROGRAM DELIVERY
SIGNING AND MARKING PLANS
INTERSECTION *3
SR 17 @ SR 44 (DANBURG RD)
DRAWING No. 26-003