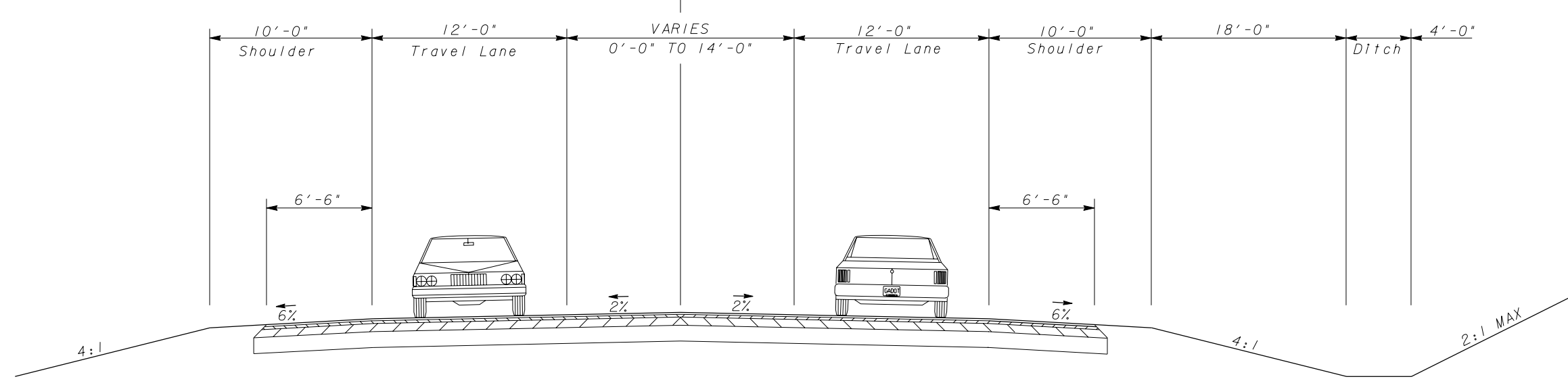
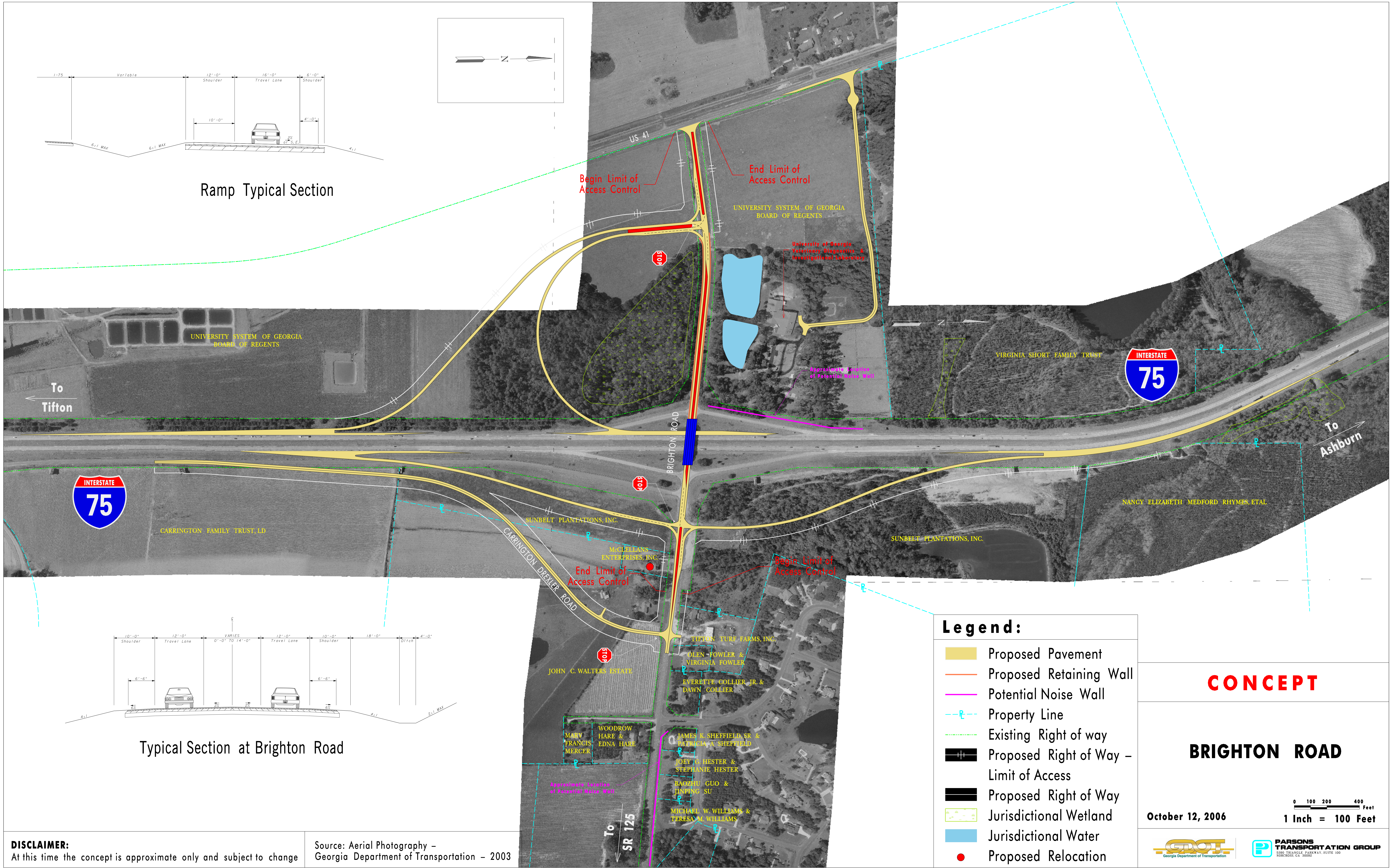


Ramp Typical Section



Typical Section at Brighton Road



Legend:

- Proposed Pavement
- Proposed Retaining Wall
- Potential Noise Wall
- Property Line
- Existing Right of way
- Proposed Right of Way – Limit of Access
- Proposed Right of Way
- Jurisdictional Wetland
- Jurisdictional Water
- Proposed Relocation

CONCEPT

BRIGHTON ROAD

October 12, 2006 0 100 200 400 Feet
1 Inch = 100 Feet



DISCLAIMER:
At this time the concept is approximate only and subject to change

Source: Aerial Photography – Georgia Department of Transportation – 2003

*P001_Signage_10/11/2006 08:52:27 AM