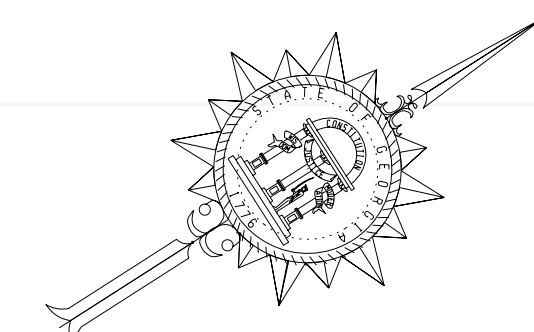


**STATE ROUTE 36 PASSING LANES
BUTTS COUNTY
PROJECT NUMBER: STP 0000-00(479)
P.I. NUMBER 0000479
PRELIMINARY CONCEPT
SITE 5**



LEGEND

- █ PASSING LANE
- PROPOSED CENTERLINE
- DISPLACEMENTS
- EXISTING RIGHT-OF-WAY
- REQUIRED RIGHT-OF-WAY
- - - POTENTIAL HISTORIC BOUNDARY
- - - CEMETERY BOUNDARY
- - - PROPOSED EDGE OF PAVEMENT
- ▨ PAVEMENT TO BE REMOVED
- EXISTING PROPERTY LINES AS TAKEN FROM COUNTY TAX MAPS AND ARE APPROXIMATE



BEGIN TAPER SR 36 WB
STA. 888+50.00
MP 16.210

CURVE * 1

P. I. STA.	: 207+73.67
P. I. STA.	: N 231302.1400
P. I. STA.	: E 128201.1878
R	: 955.00'
L	: 290.0915'
T	: 244.8015'
P. C. STA.	: 204+93.58
P. T. STA.	: 210+38.48

CURVE * 3

P. I. STA.	: 924+68.39
P. I. STA.	: N 23036.8558
P. I. STA.	: E 13099.6620
R	: 9741.5400'
L	: 8728.5740'
T	: 485.7981'
P. C. STA.	: 919+82.59
P. T. STA.	: 929+51.07

CURVE * 6

P. I. STA.	: 939+03.76
P. I. STA.	: N 23051.7917
P. I. STA.	: E 13514.8064
R	: 5789.5764'
L	: 1189.0389'
T	: 550.0488'
P. C. STA.	: 939.0789'
P. T. STA.	: 942+53.59

CURVE * 2

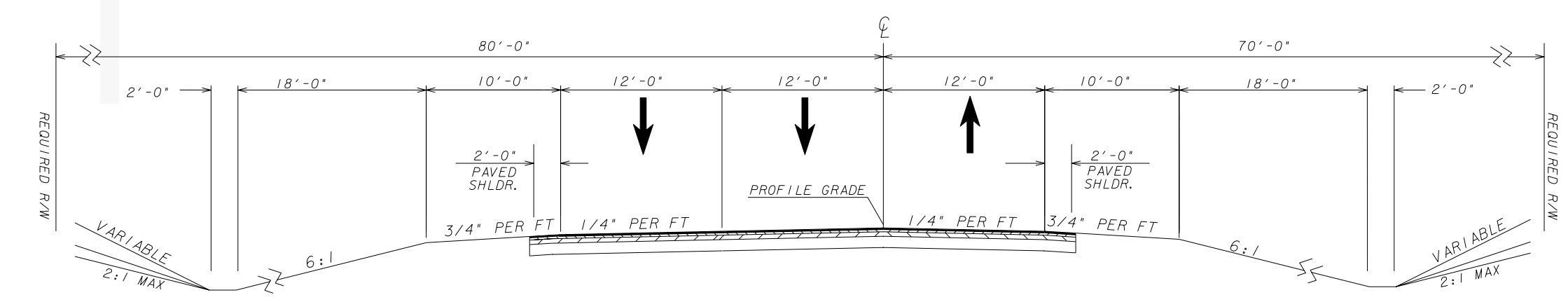
P. I. STA.	: 893+76.42
P. I. STA.	: N 230549.7997
P. I. STA.	: E 132831.8458
R	: 11511.5451'
L	: 2391.8151'
T	: 231.1987'
P. C. STA.	: 891+45.22
P. T. STA.	: 896+06.06

CURVE * CR44RELOC1

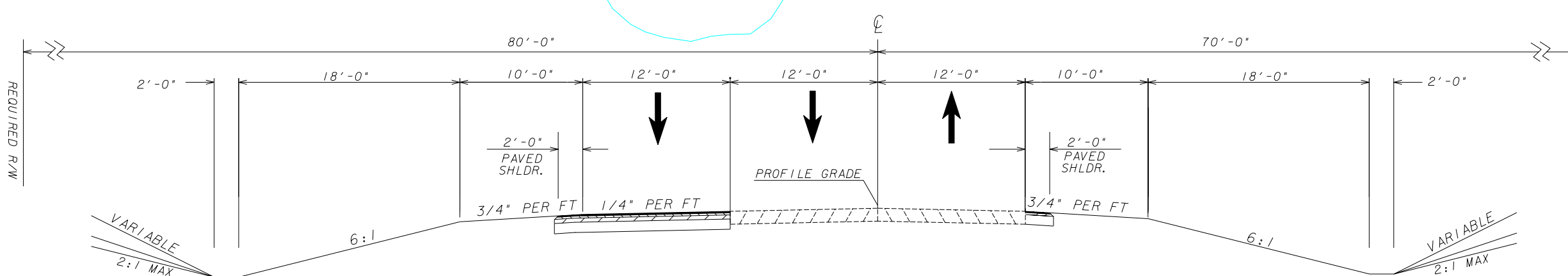
P. I. STA.	: 200+96.74
P. I. STA.	: N 230020.4360
P. I. STA.	: E 130079.2475
R	: 1103.0555'
L	: 1000.0000'
T	: 96.7430'
P. C. STA.	: 200+00.00
P. T. STA.	: 201+92.89

CURVE * 5

P. I. STA.	: 202+53.79
P. I. STA.	: N 230081.2213
P. I. STA.	: E 130724.7491
R	: 62441.7135'
L	: 100.00'
T	: 60.9064'
P. C. STA.	: 201+92.89
P. T. STA.	: 203+02.30



TYPICAL SECTION SITE 5
STA. 899+00.00 TO STA. 904+00.00



TYPICAL SECTION SITE 5
FROM STA. 888+50.00 TO STA. 899+00.00
FROM STA. 904+00.00 TO STA. 942+35.85

PRELIMINARY CONCEPT
THE LOCATION AND TYPE OF ROADWAY MAY CHANGE
PROPOSED RIGHT-OF-WAY WIDTHS ARE ESTIMATES
CONCEPT DATE: AUGUST 2001

