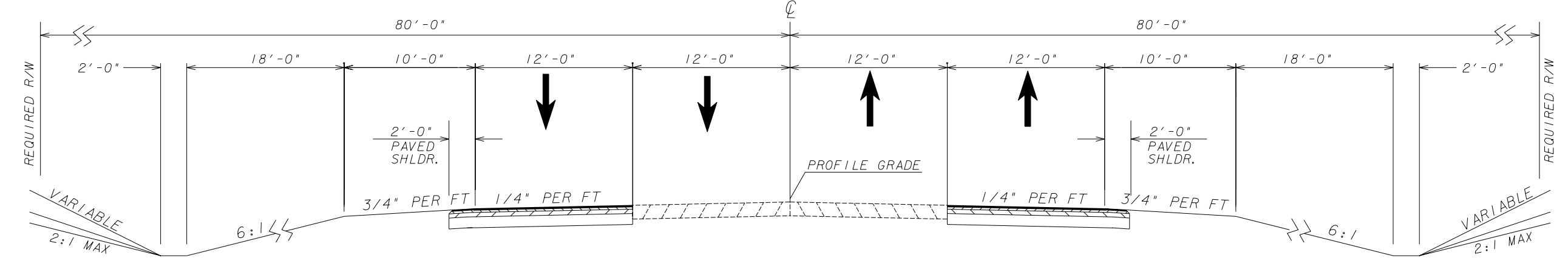
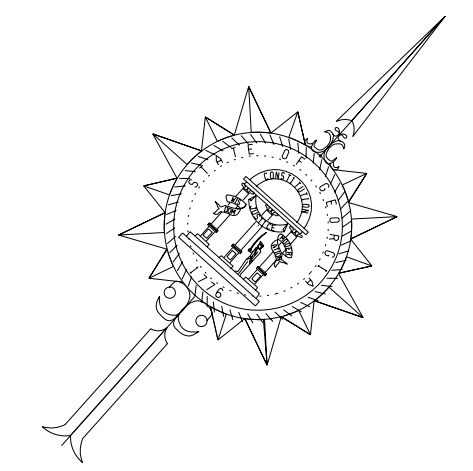
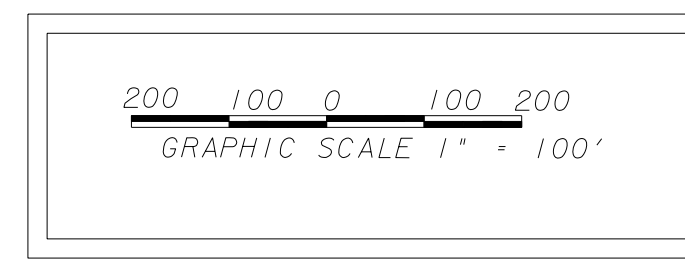


**STATE ROUTE 36 PASSING LANES
BUTTS COUNTY
PROJECT NUMBER: STP 0000-00(479)
P.I. NUMBER 0000479
PRELIMINARY CONCEPT
SITE 2 & 3**



TYPICAL SECTION SITES 2 AND 3

- LEGEND**
- █ PASSING LANE
 - PROPOSED CENTERLINE
 - DISPLACEMENTS
 - EXISTING RIGHT-OF-WAY
 - REQUIRED RIGHT-OF-WAY
 - POTENTIAL HISTORIC BOUNDARY
 - CEMETERY BOUNDARY
 - PROPOSED EDGE OF PAVEMENT
 - ▨ PAVEMENT TO BE REMOVED
 - EXISTING PROPERTY LINES AS TAKEN FROM COUNTY TAX MAPS AND ARE APPROXIMATE



PRELIMINARY CONCEPT
THE LOCATION AND TYPE OF ROADWAY MAY CHANGE
PROPOSED RIGHT-OF-WAY WIDTHS ARE ESTIMATES
CONCEPT DATE: AUGUST 2001