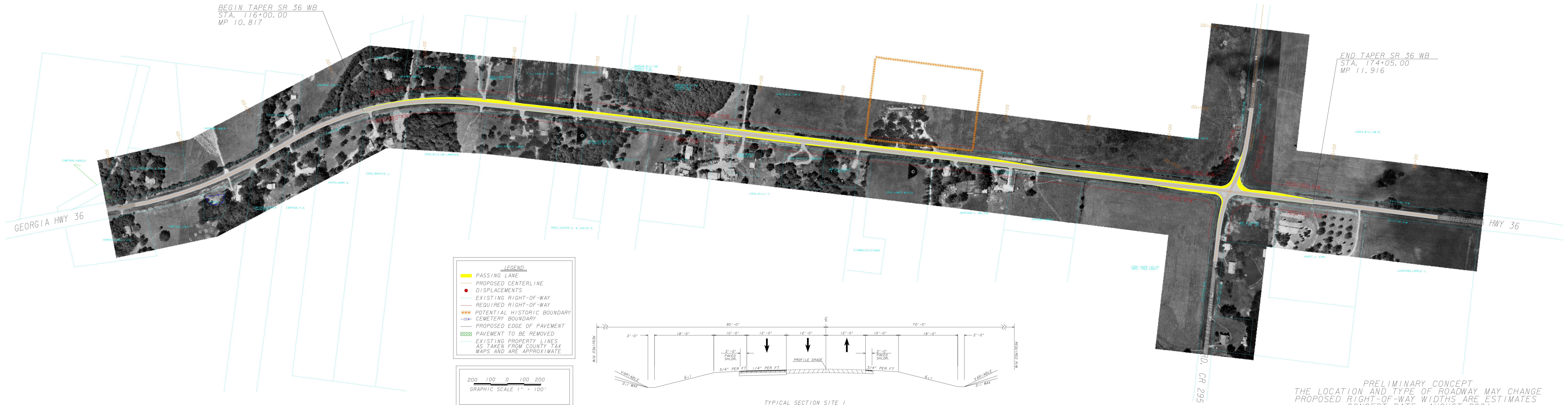
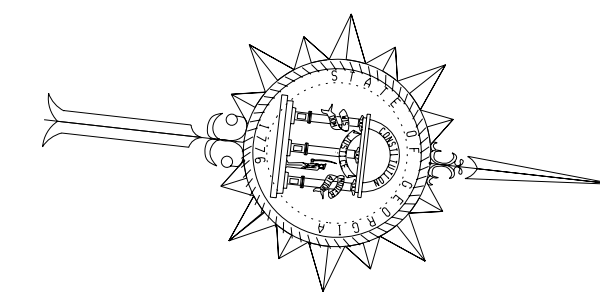


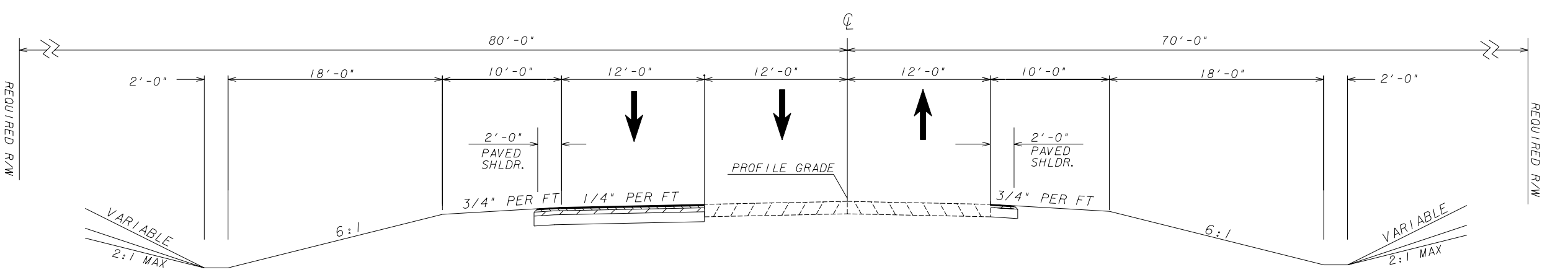
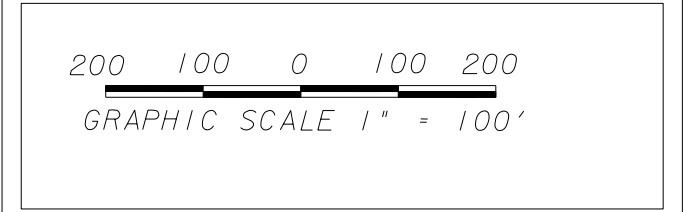
**STATE ROUTE 36 PASSING LANES
BUTTS COUNTY
PROJECT NUMBER: STP 0000-00(479)
P.I. NUMBER 0000479
PRELIMINARY CONCEPT
SITE 1**



BEGIN TAPER SR 36 WB
STA. 116+00.00
MP 10.817

END TAPER SR 36 WB
STA. 174+05.00
MP 11.916

- LEGEND**
- PASSING LANE
 - PROPOSED CENTERLINE
 - DISPLACEMENTS
 - EXISTING RIGHT-OF-WAY
 - REQUIRED RIGHT-OF-WAY
 - - - POTENTIAL HISTORIC BOUNDARY
 - - - CEMETERY BOUNDARY
 - PROPOSED EDGE OF PAVEMENT
 - - - PAVEMENT TO BE REMOVED
 - EXISTING PROPERTY LINES AS TAKEN FROM COUNTY TAX MAPS AND ARE APPROXIMATE



TYPICAL SECTION SITE 1

PRELIMINARY CONCEPT
THE LOCATION AND TYPE OF ROADWAY MAY CHANGE
PROPOSED RIGHT-OF-WAY WIDTHS ARE ESTIMATES
CONCEPT DATE: AUGUST 2001