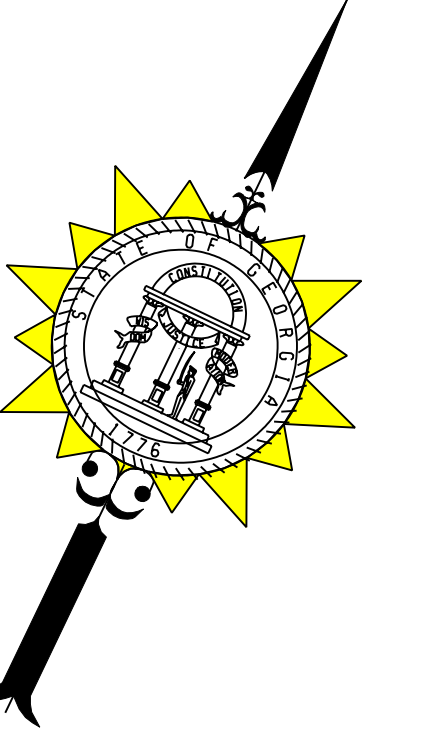


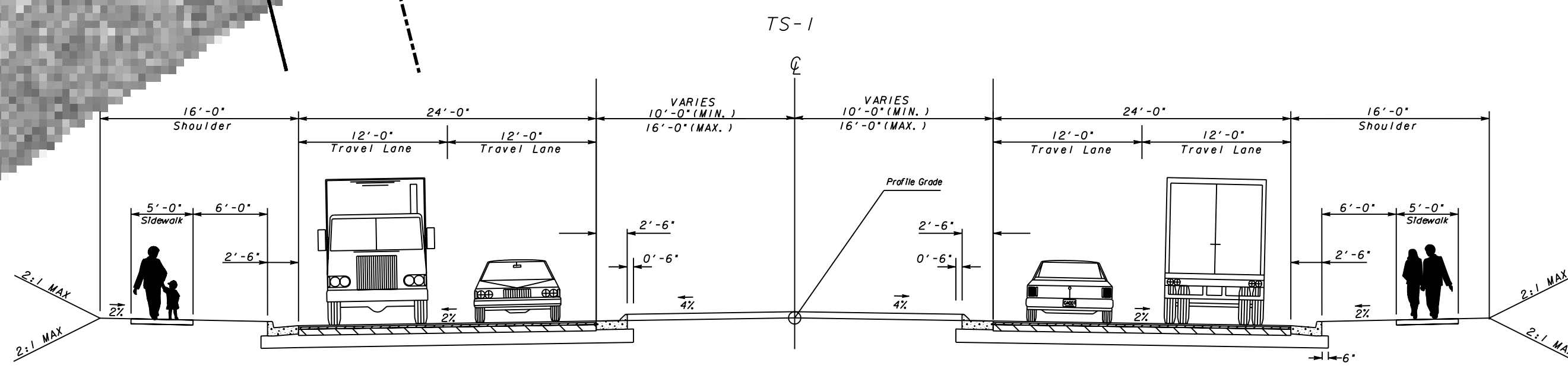
LEGEND

EXISTING INFORMATION	PROPOSED INFORMATION
RIGHT-OF-WAY	CENTERLINE
PROPERTY LINE	RIGHT-OF-WAY
HISTORIC AREA	NEW PAVEMENT
CEMETERY BOUNDARY	RAISED MEDIAN
PARK BOUNDARY	NEW/ WIDENED BRIDGE
ROADWAY DOES NOT MEET CURRENT DESIGN STANDARDS	BARRICADE
RIVERS/ CREEKS	DISPLACEMENTS
WETLANDS	TRAFFIC FLOW ARROWS
HYDRIC SOILS	



PRELIMINARY CONCEPT
 THE LOCATION AND TYPE OF ROADWAY MAY CHANGE.
 PROPOSED RIGHT-OF-WAY WIDTHS ARE ESTIMATES.
 CONCEPT DATE: AUGUST 16, 2007

PRELIMINARY CONCEPT
 THE LOCATION AND TYPE OF ROADWAY MAY CHANGE.
 PROPOSED RIGHT-OF-WAY WIDTHS ARE ESTIMATES.
 CONCEPT DATE: AUGUST 16, 2007



APPLIES TO H. F. REED INDUSTRIAL PKWY., NEW INDUSTRIAL CONNECTOR ROAD, (MARTIN ROAD EXTENSION), SR 13 (FALCON PARKWAY), THURMON TANNER PKWY., MARTIN ROAD

PUBLIC INFORMATION OPEN HOUSE DISPLAY
 A NEW INTERCHANGE ON I-985 NEAR MARTIN ROAD
 GDOT PROJECT * NHS-0000-00(425), HALL COUNTY
 P.I. # 0000425
 August, 16, 2007