

PI 0000315
 SR 52 @ SR 183
 INTERSECTION IMPROVEMENT
 DAWSON COUNTY

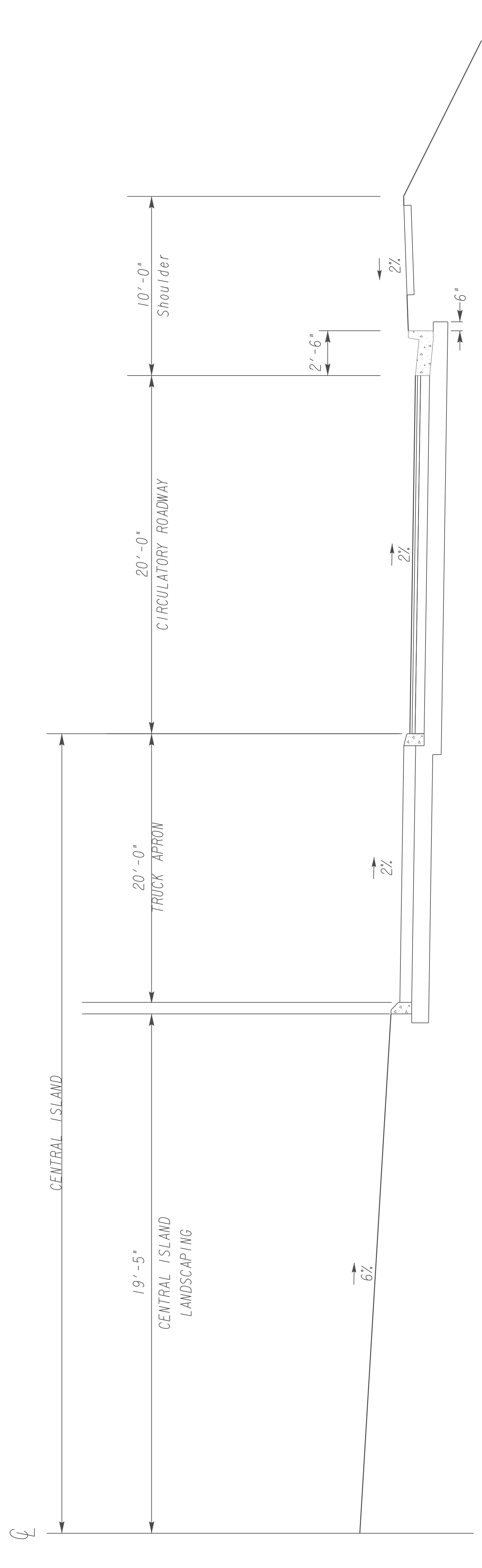


LEGEND

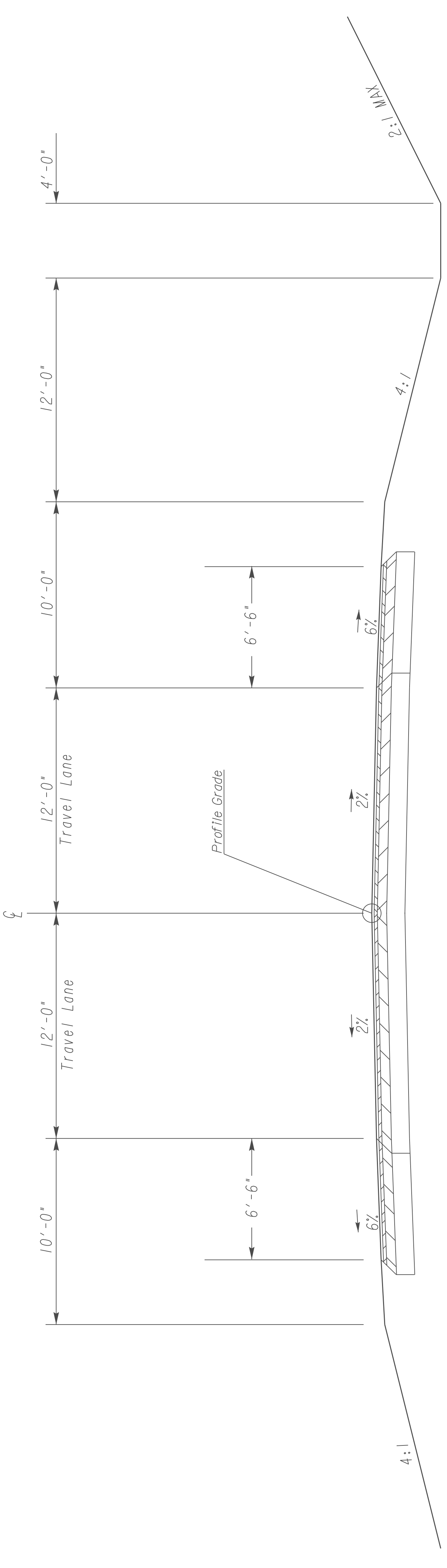
PROPERTY AND EXISTING ROW LINE
 REQUIRED ROW LINE
 CONSTRUCTION LIMITS
 NEW PAVEMENT

0 50 100 200
 SCALE IN FEET

DISTRICT
GDOT

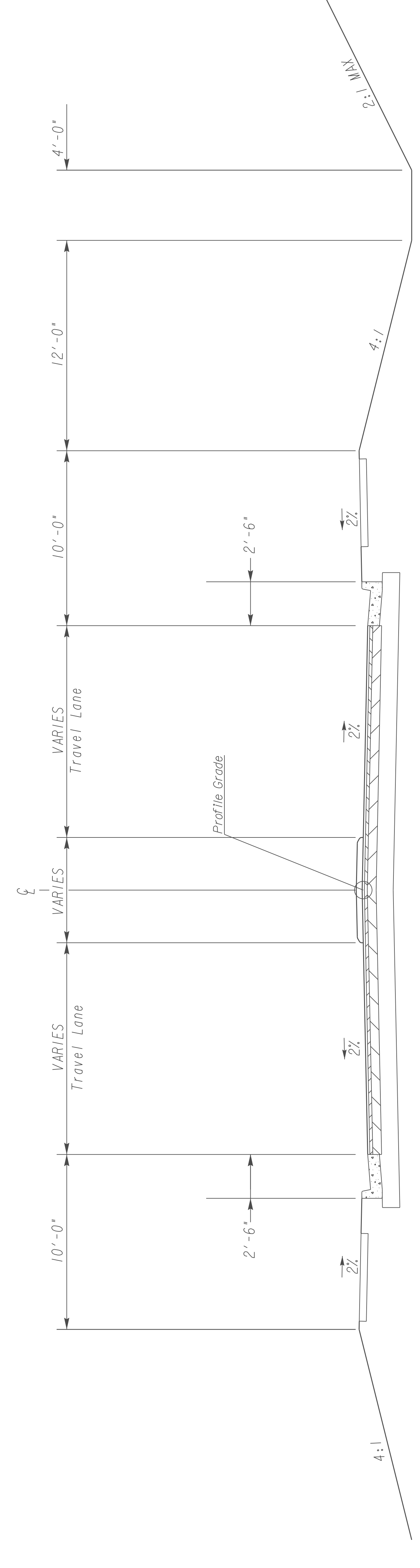


ROUNDABOUT TYPICAL



RURAL SECTION TYPICAL

SR 52 STA 12+93.60 - 16+27.44
 SR 52 STA 22+11.39 - 25+29.74
 SR 183 STA 33+57.49 - 36+50.36



URBAN SECTION TYPICAL

SR 52 STA 16+27.44 - 17+90.14
 SR 52 STA 20+59.43 - 22+11.39
 SR 183 STA 36+50.36 - 38+27.93