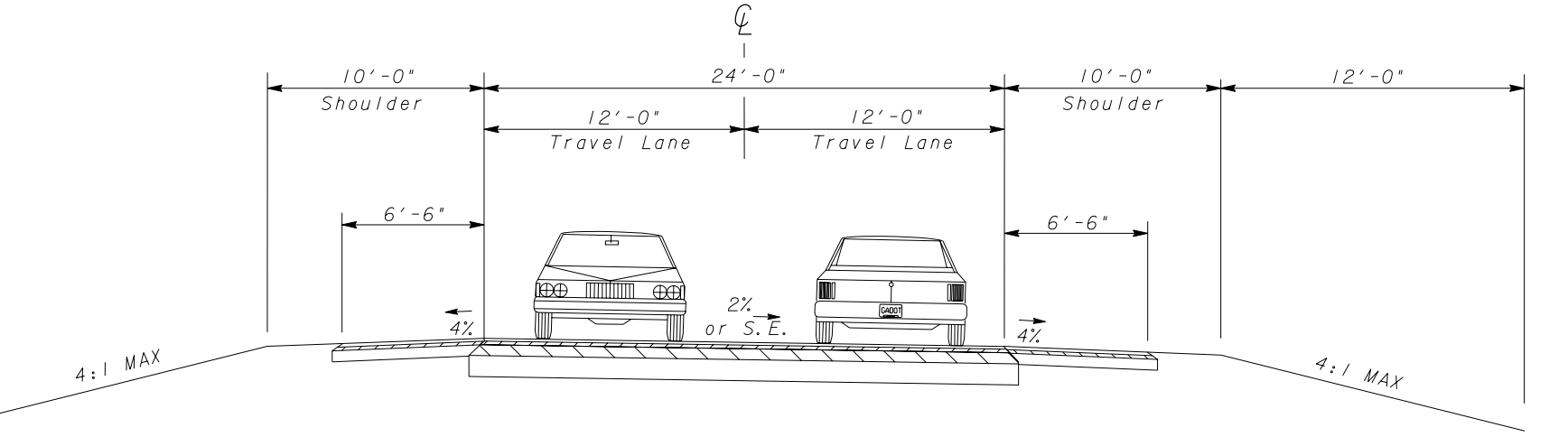
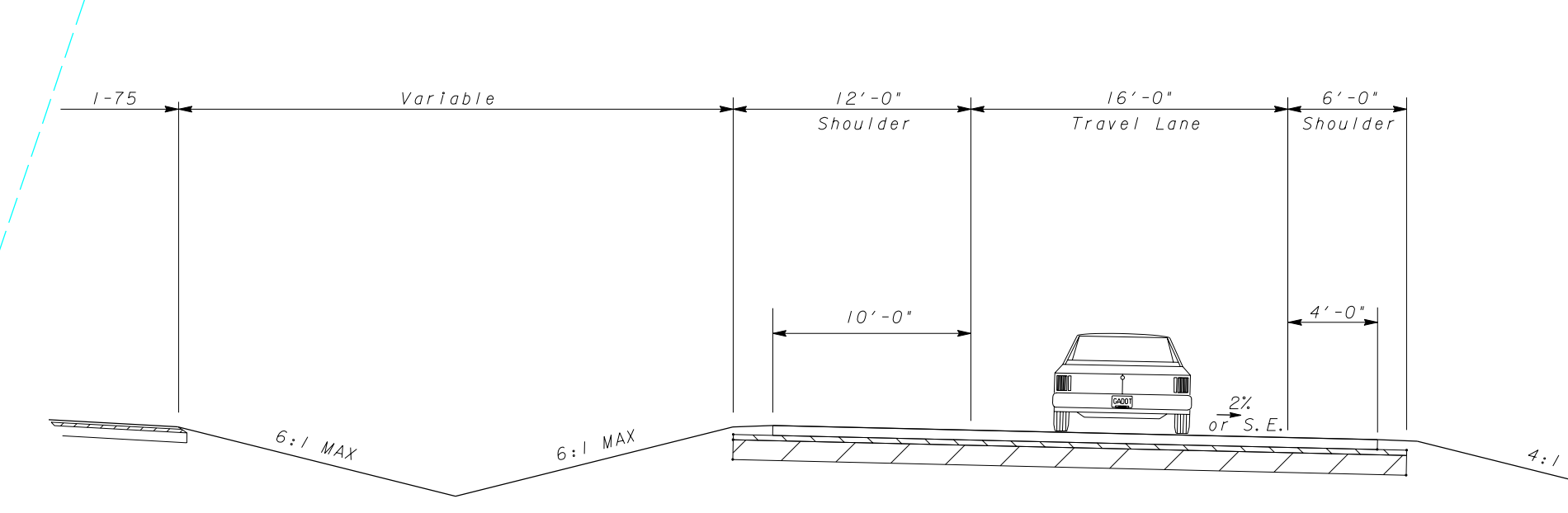


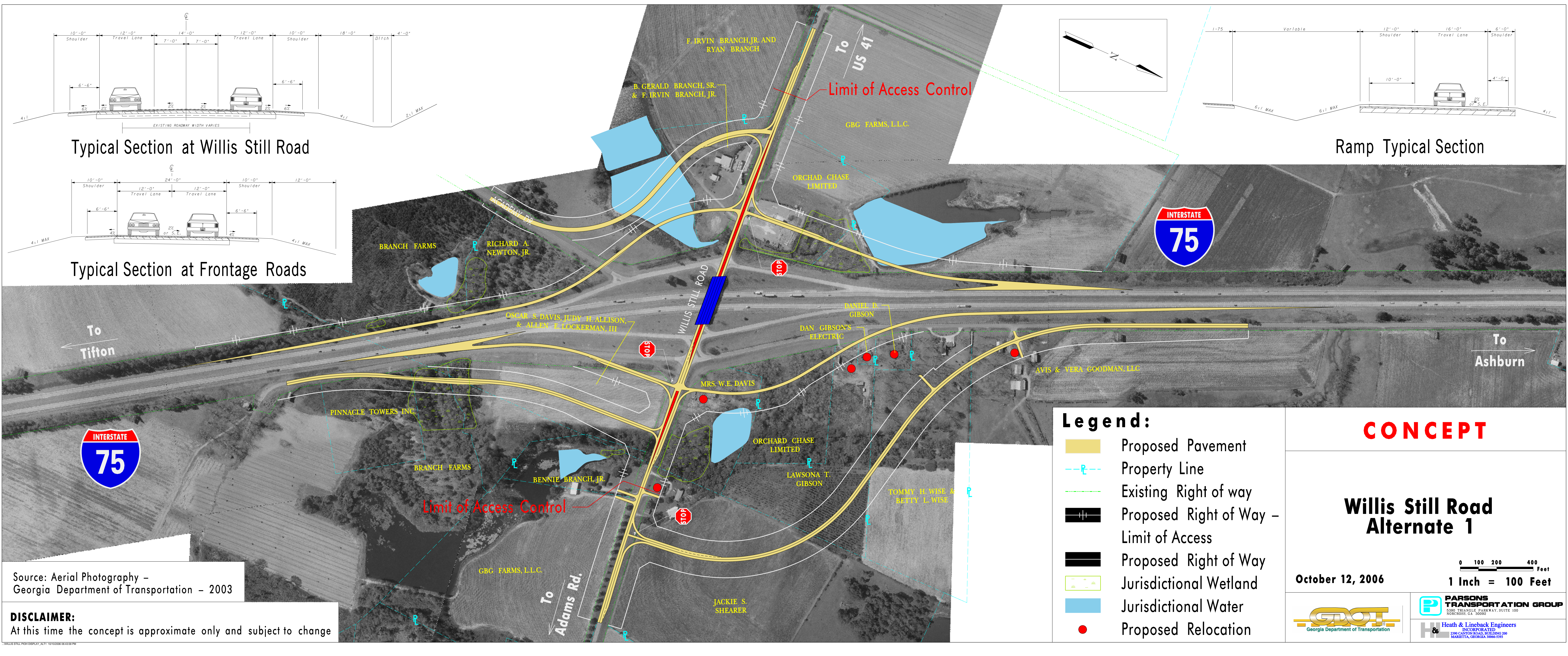
Typical Section at Willis Still Road



Typical Section at Frontage Roads



Ramp Typical Section



- Legend:**
- Proposed Pavement
  - Property Line
  - Existing Right of way
  - Proposed Right of Way – Limit of Access
  - Proposed Right of Way Jurisdictional Wetland
  - Jurisdictional Wetland
  - Jurisdictional Water
  - Proposed Relocation

**CONCEPT**

**Willis Still Road Alternate 1**

October 12, 2006

0 100 200 400 Feet  
1 Inch = 100 Feet



Source: Aerial Photography – Georgia Department of Transportation – 2003

**DISCLAIMER:**  
At this time the concept is approximate only and subject to change

\\WILLIS STILL PROJ\DISPLAY\ALT1 10/12/2006 06:43:58 PM